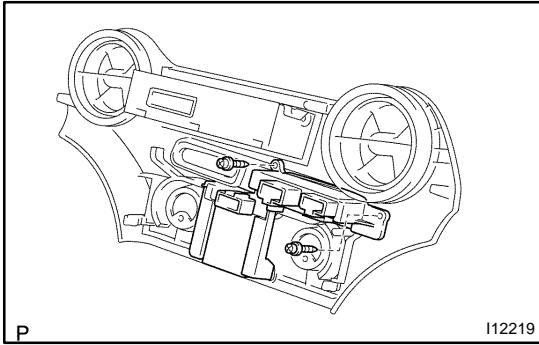
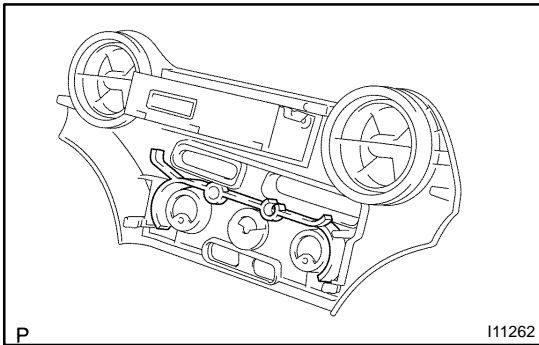


DISASSEMBLY

1. REMOVE CLUSTER FINISH PANEL
(See page [BO-76](#))



2. REMOVE CENTER CLUSTER SWITCH
 - (a) Remove the knob.
 - (b) Release the 2 claws and remove the switch.



3. REMOVE LENS