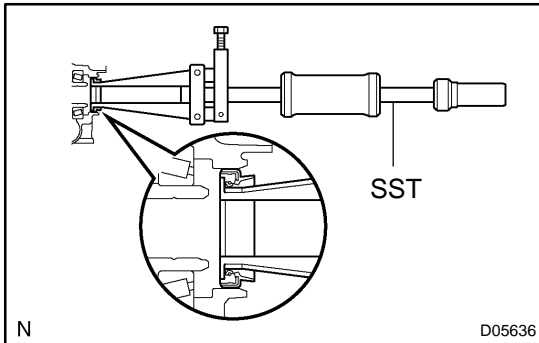


DIFFERENTIAL OIL SEAL ON-VEHICLE REPAIR

AX0M2-02

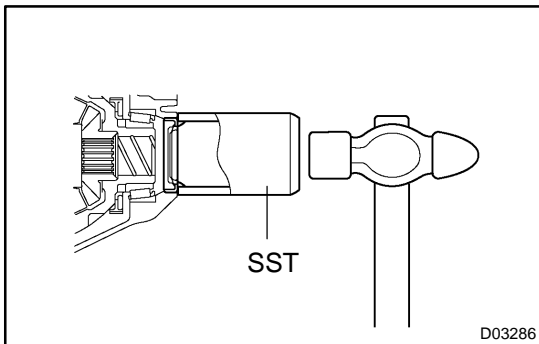
1. REMOVE FRONT DRIVE SHAFT (See page SA-18)



2. REMOVE SIDE GEAR SHAFT OIL SEAL

Using SST, pull out the oil seal.

SST 09308-00010



3. INSTALL LH AND RH SIDE GEAR SHAFT OIL SEAL

(a) Using SST and a hammer, drive in a new oil seal.

SST 09223-00010

Oil seal depth:

RH: 2.0 ± 0.5 mm (0.079 ± 0.02 in.)

LH: 5.9 ± 0.5 mm (0.232 ± 0.02 in.)

(b) Coat the lip of the oil seal with MP grease.

4. INSTALL FRONT DRIVE SHAFT (See page SA-18)

5. CHECK ATF LEVEL (See page DI-149)