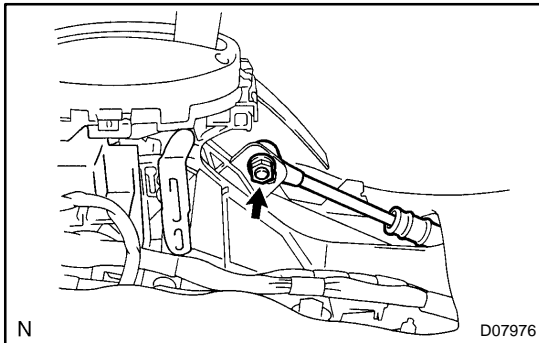


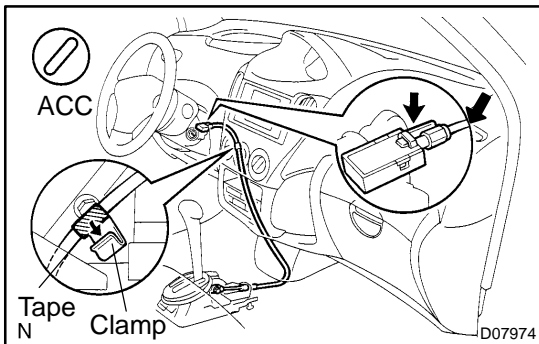
## INSTALLATION

### 1. INSTALL FLOOR SHIFT ASSEMBLY

- (a) Install the floor shift assembly with the 4 bolts.  
**Torque: 12 N·m (120 kgf·cm, 9 ft·lbf)**
- (b) Install the wire harness clamps to the shift lever plate.



- (c) Shift the shift lever in N position, push the lever to the R position side and hold it there.
- (d) While pulling the cable, install the cable with the nut.  
**Torque: 12 N·m (120 kgf·cm, 9 ft·lbf)**
- (e) Connect the 2 connectors.



### 2. INSTALL KEY INTERLOCK CABLE

- (a) With the key in ACC, install the cable cap claw to the key interlock.
- (b) Install the cable to the clamp for No.1 instrument panel box.
- (c) Insert the cable end rod (ø4) from the slit of the shift lever plate.
- (d) Insert the slide cap into the through hole and install.
- (e) Insert the lever pin into the hole in the cable end.

**HINT:**

- At this time, ensure that the shift lever is in N position.
  - After installation, make sure that the lever pin is pulled by the cable and is stopped with a stopper.
- (f) To check that the spring for automatic adjustment works properly, hold the slide cap and move it back and forth.
  - (g) Lock the adjust lock cap.

**HINT:**

Rotate it counterclockwise by 90° facing to the front of the vehicle.

**HINT:**

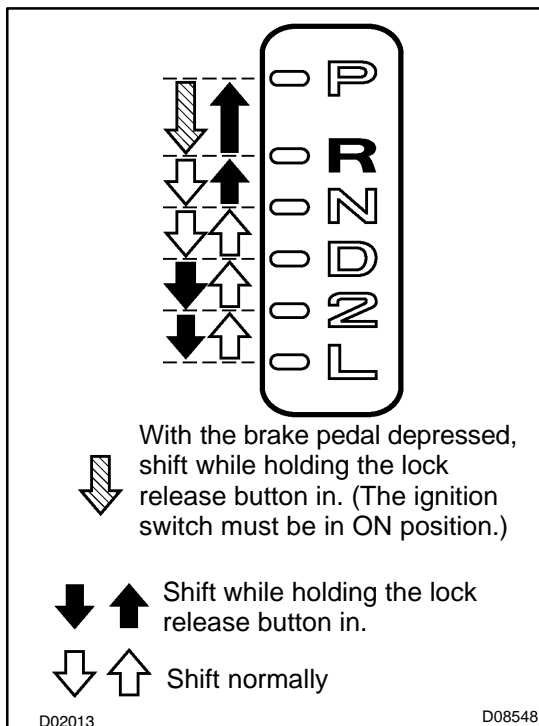
- Install the cable on the shift lever side with the key in ACC.
- Make sure the slide amount for the spring for automatic adjustment is 8 mm (0.31 in.).

### 3. INSTALL REAR CONSOLE BOX, INSTRUMENT CLUSTER PANEL AND COLUMN COVER

(See page [BO-84](#) )

**4. INSPECT KEY INTERLOCK AND SHIFT LOCK OPERATION**

- (a) Check that the starter operates when the shift lever is in only P and N position and does not operate in the other ranges.
- (b) Operate the shift lever and check that the reading on the indicator conforms to the actual position.
- (c) Check that the ignition key can be pulled out in P position.
- (d) Check that the ignition key does not turn to LOCK position in any other range than P position.
- (e) Check that the shift lever can be shifted from P position to another position when the shift release button is pressed.



- (f) When shifting it to each range, make sure that the shifting lever moves smoothly, can be moderately operated and the position indicator displays correctly.

**Ranges which can be operated without pressing the shift lever knob button**

**R → N → D → 2, L → 2 → D → N**

**Ranges which can be operated only while pressing the shift lever knob button**

**2 → L, N → R → P**

**Ranges which can be operated only while pressing the shift lever knob button, ignition switch ON and brake pedal depressed**

**P → R**

- (g) When starting the engine, make sure that the vehicle moves forward when shifting from N to D position, and moves rearward when shifting to R position.