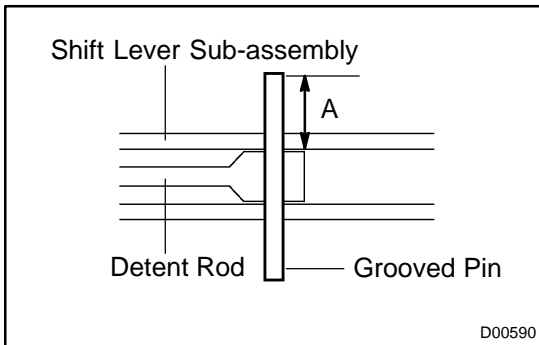
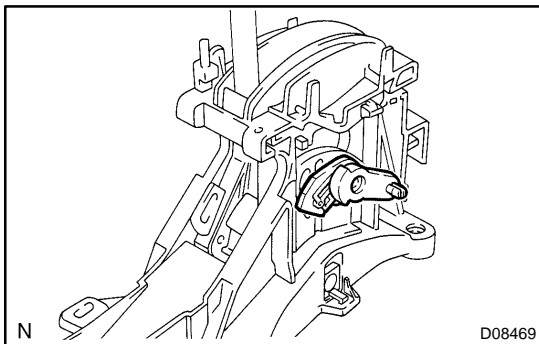


REASSEMBLY

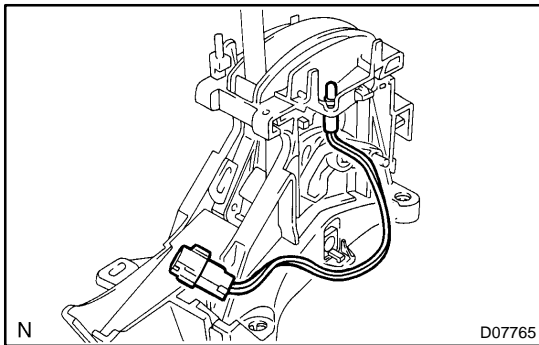
1. **INSTALL SPRING AND SHIFT LOCK RELEASE BUTTON**
2. **INSTALL SHIFT LEVER SUB-ASSEMBLY**
 - (a) Apply MP grease on the control shaft, shift lever sub-assembly, grooved pin, spring and detent rod.
 - (b) Install the shift lever sub-assembly and control shaft to the shift lever plate.
 - (c) Install the spring and detent rod.
 - (d) Using a punch and hammer, install the grooved pin to the detent rod pin hole.
 - (e) Check the detent rod operation.
3. **INSTALL SHIFT LOCK SOLENOID ROD**



4. **INSTALL KEY INTERLOCK CABLE ROD**

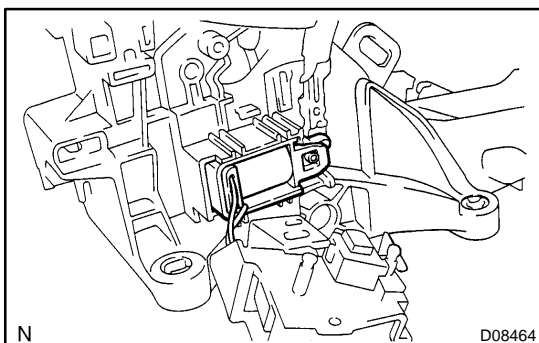


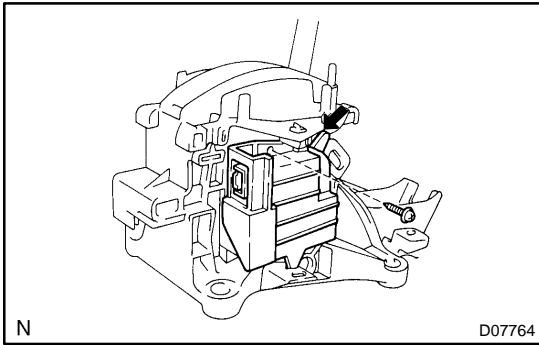
5. **INSTALL INDICATOR LIGHT WIRE**



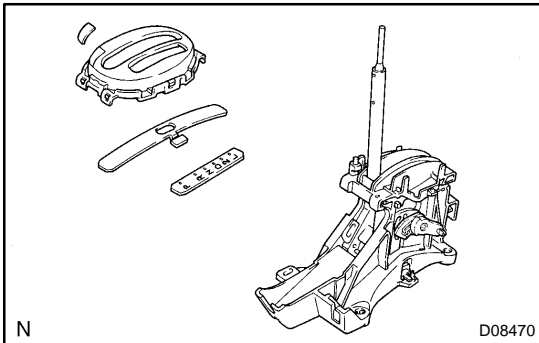
6. **INSTALL SHIFT LOCK UNIT**

- (a) Install the solenoid.



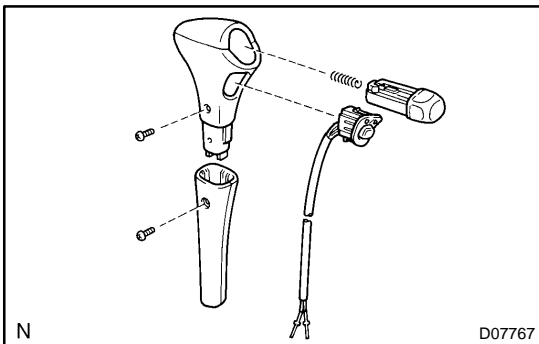


- (b) Install the shift lock unit with the screw.



7. INSTALL POSITION INDICATOR HOUSING

- (a) Install the position indicator plate to the position indicator housing.
- (b) Install the position indicator slide cover to the shift lever plate.
- (c) Install the position indicator housing to the shift lever plate.
- (d) Install the cover to the position indicator housing.



8. INSTALL SHIFT LEVER KNOB SUB-ASSEMBLY

- (a) Apply MP grease on the shift lever knob button and spring.
- (b) Install the O/D main switch.
- (c) Install the spring and shift lever knob button.
- (d) Install the shift lever knob cover.
- (e) Install the shift lever sub-assembly with the 2 screws.

HINT:

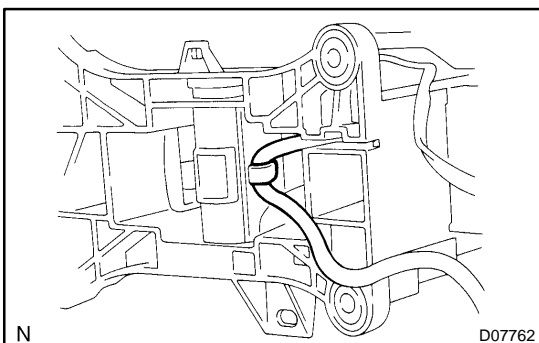
Coat the threads of screws with sealant.

Sealant:

Part No. 08833-00080, THREE BOND 1344, LOCTITE 242 or equivalent

NOTICE:

Make sure not to catch O/D main switch wire harness.



- (f) Clamp the wire harness to the shift lever plate.

9. INSTALL O/D MAIN SWITCH TERMINAL