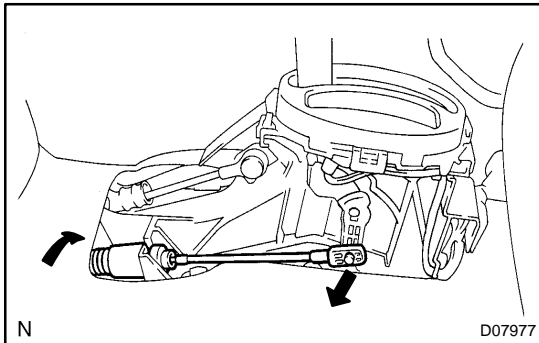


## REMOVAL

1. REMOVE REAR CONSOLE BOX
2. REMOVE COLUMN COVER (See page [BO-76](#))

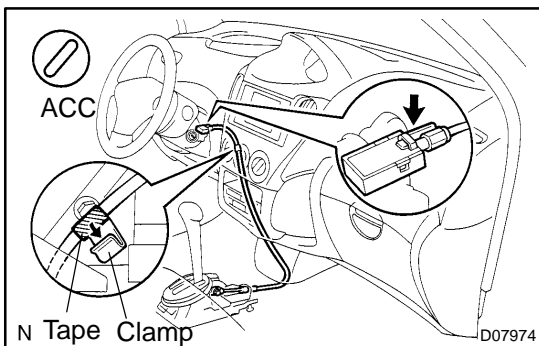


### 3. REMOVE KEY INTERLOCK CABLE

- (a) Release the adjust lock cap.

HINT:

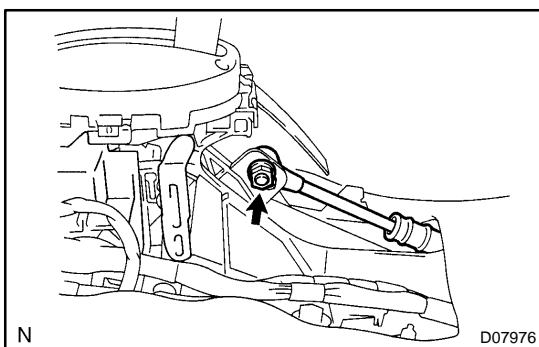
- Rotate it clockwise by 90° facing to the front of the vehicle.
- (b) Remove the cable end from the rod on the shift lever side.
  - (c) Remove the cable on the shift lever side.



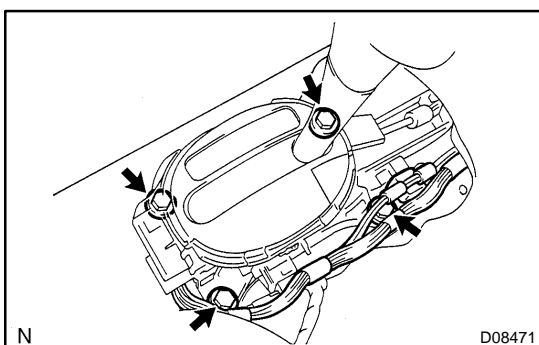
- (d) Remove the cable from the clamp for No. 1 instrument panel box.
- (e) With the key in ACC, remove the cable cap claw from the key interlock and pull it.

### 4. REMOVE FLOOR SHIFT ASSEMBLY

- (a) Disconnect the 2 connectors.



- (b) Remove the nut and disconnect the transaxle control cable.



- (c) Remove the 2 wire harness clamps from the shift lever assembly.
- (d) Remove the bolts and floor shift lever assembly.