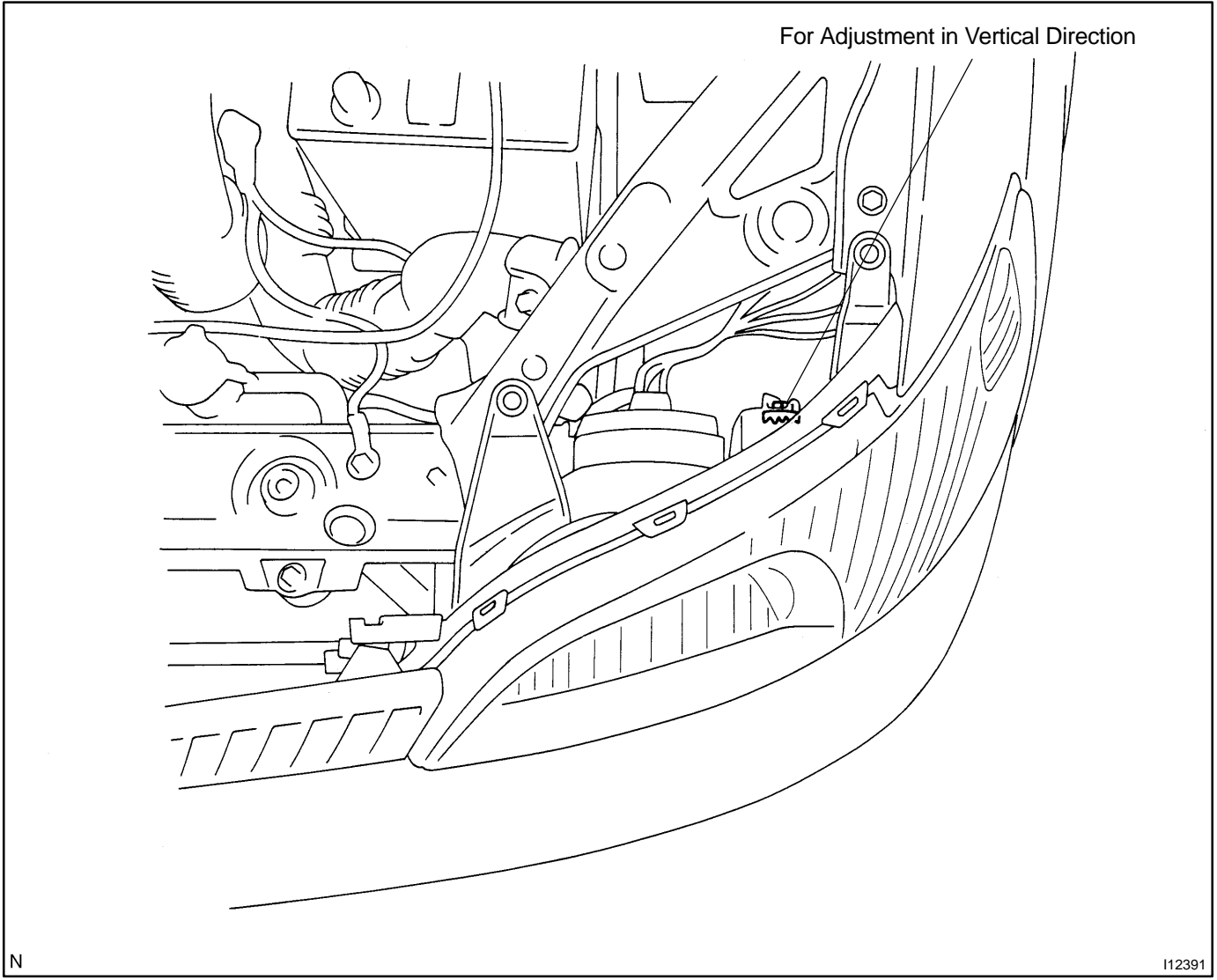


ADJUSTMENT

For Adjustment in Vertical Direction



N

I12391

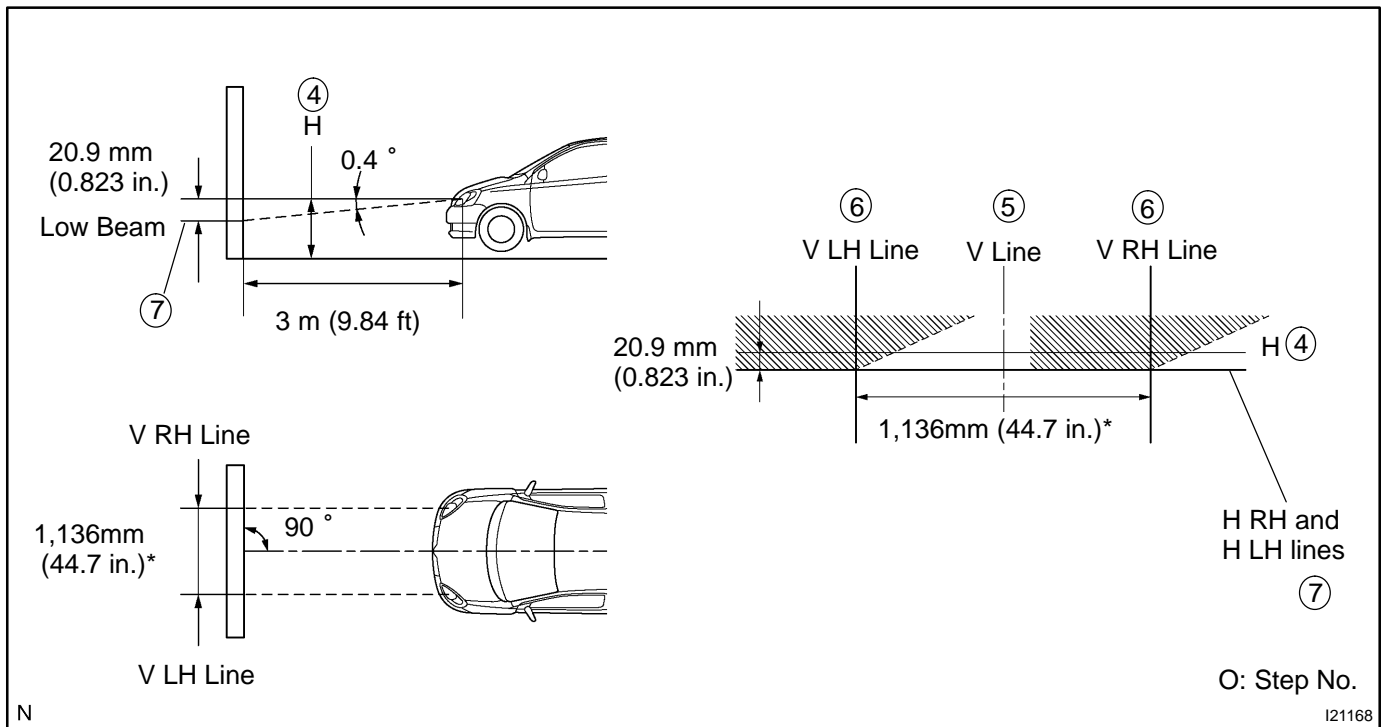
ADJUSTING HEADLIGHT AIM

- (a) Place the vehicle in the following conditions.
 - The area around the headlight is not deformed.
 - The vehicle is parked on a level surface.
 - Tire inflation pressure is the specified value.
 - A driver is in the driver's seat and the vehicle is in a state ready for driving (with a tank full).
 - The vehicle has been bounced several times.
- (b) Check the headlight aiming.
 - (1) Prepare a thick white paper.
 - (2) Stand the paper perpendicular to the ground at the position 9.84 ft away from the headlights.
 - (3) Ensure that the center line of the vehicle and the paper face forms a 90-degree angle as shown in the illustration.
 - (4) Draw a horizontal line (H line) on the paper, showing where the headlights should strike.
 - (5) Draw a vertical line (V line) to where the center line of the vehicle is to be.
 - (6) Draw 2 vertical lines to where the both headlights should strike (V RH and V LH lines).
 - (7) Draw a horizontal line (by connecting the both low beam center marks) to where the headlights should strike (H RH and H LH lines).

HINT:

The H RH and H LH line is 0.4° below the horizontal line (H line) of the light axis.

- (8) Start the engine.
- (9) Turn the headlights ON.
- (10) Check that the headlights properly strike the position shown in the illustration.
- (11) If not, adjust the lights in the vertical or horizontal direction.



HINT:

- As shown in the illustration, adjust each aim of the RH and LH lights.
 - Since the horizontal direction is impossible to adjust, the value * of the "Low Beam" aim is reference value.
- (c) When adjusting it in the vertical direction:
Using adjusting bolt A, adjust the headlight aim to within the specified range.