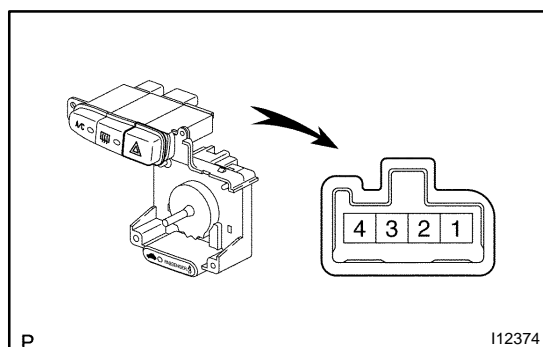


INSPECTION

1. INSPECT TURN SIGNAL SWITCH CONTINUITY

Switch position	Tester connection	Specified condition
Left turn	5 - 6	Continuity
Neutral	-	No continuity
Right turn	6 - 7	Continuity

If continuity is not as specified, replace the switch.

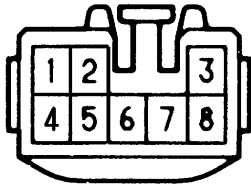


2. INSPECT HAZARD WARNING SWITCH CONTINUITY

Switch position	Tester connection	Specified condition
Switch OFF	-	No continuity
Switch ON	1 - 2	Continuity

If continuity is not as specified, replace the switch.

Wire harness side:



I04046

3. INSPECT TURN SIGNAL FLASHER CIRCUIT

Disconnect the connector from the combination switch and inspect the connector on the wire harness side, as shown.

Tester connection	Condition	Specified condition
2 - Ground	Constant	Continuity
3 - Ground	Constant	Continuity
5 - Ground	Turn signal switch RIGHT or OFF	No continuity
5 - Ground	Turn signal switch LEFT	Continuity
6 - Ground	Turn signal switch LEFT or OFF	No continuity
6 - Ground	Turn signal switch RIGHT	Continuity
7 - Ground	Constant	Continuity
8 - Ground	Hazard warning switch OFF	No continuity
8 - Ground	Hazard warning switch ON	Continuity
1 - Ground	Ignition switch LOCK or ACC	No voltage
1 - Ground	Ignition switch ON	Battery positive voltage
4 - Ground	Constant	Battery positive voltage

If circuit is as specified, replace the relay.

If circuit is not as specified, inspect the circuits connected to other parts.