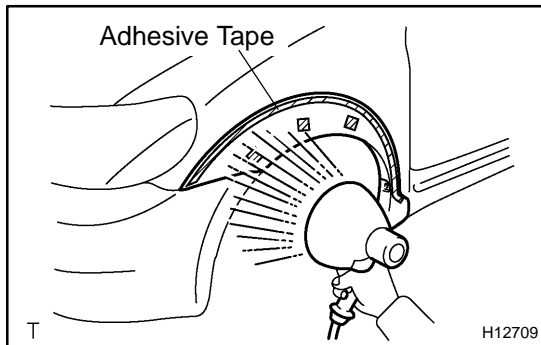


REMOVAL

1. w/ Front spoiler:

REMOVE FRONT SPOILER (See page BO-4)

- (a) Remove the fender liner.
- (b) Remove the 3 nuts, screw and front bumper extension.



2. REMOVE FRONT FENDER WHEEL OPENING MOULDING

- (a) Remove the fender liner.
- (b) Remove the bolt and 3 screws.
- (c) Using a heat light, heat the moulding to 20 - 30°C (68 - 86°F).

NOTICE:

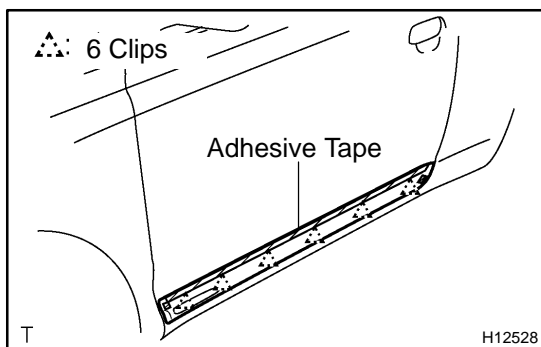
Do not heat the moulding excessively.

- (d) Cut the adhesive tape with a knife.

NOTICE:

Do not damage the body.

- (e) Remove the moulding.



3. 2-Door vehicle:

REMOVE FRONT DOOR LOWER OUTSIDE MOULDING

- (a) Using a heat light, heat the moulding to 20 - 30°C (68 - 86°F).

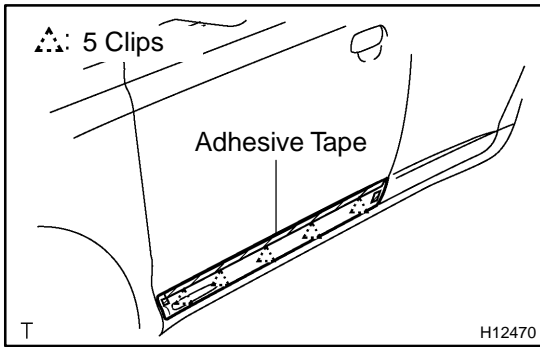
NOTICE:

Do not heat the moulding excessively.

- (b) Cut the adhesive tape with a knife.

NOTICE:

- **If reusing the moulding, take care not to damage the moulding.**
 - **Do not damage the body.**
- (c) Remove the moulding.



**4. 4-Door vehicle:
REMOVE FRONT DOOR LOWER OUTSIDE MOULDING**

- (a) Using a heat light, heat the moulding to 20 - 30°C (68 - 86°F).

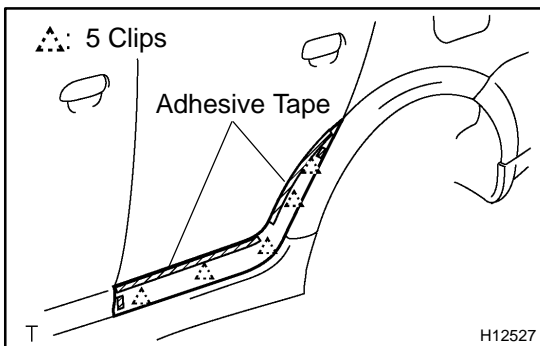
NOTICE:

Do not heat the moulding excessively.

- (b) Cut the adhesive tape with a knife.

NOTICE:

- **If reusing the moulding, take care not to damage the moulding.**
- **Do not damage the body.**
- (c) Remove the moulding.



**5. 4-Door vehicle:
REMOVE REAR DOOR LOWER OUTSIDE MOULDING**

- (a) Using a heat light, heat the moulding to 20 - 30°C (68 - 86°F).

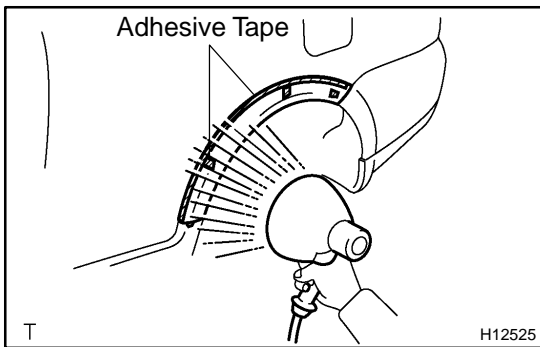
NOTICE:

Do not heat the moulding excessively.

- (b) Cut the adhesive tape with a knife.

NOTICE:

- Do not damage the body.**
- (c) Remove the moulding.



**6. 2-Door vehicle:
REMOVE QUARTER OUTSIDE REAR MOULDING**

- (a) Using a heat light, heat the moulding to 20 - 30°C (68 - 86°F).

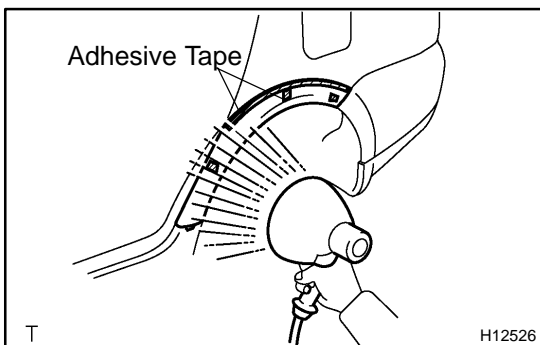
NOTICE:

Do not heat the moulding excessively.

- (b) Cut the adhesive tape with a knife.

NOTICE:

- Do not damage the body.**
- (c) Remove the moulding.



**7. 4-Door vehicle:
REMOVE QUARTER OUTSIDE REAR MOULDING**

- (a) Using a heat light, heat the moulding to 20 - 30°C (68 - 86°F).

NOTICE:

Do not heat the moulding excessively.

- (b) Cut the adhesive tape with a knife.

NOTICE:

- Do not damage the body.**
- (c) Remove the moulding.

8. w/ Side mudguard:**REMOVE SIDE MUDGUARD**

- (a) Remove the 4 bolts and side mudguard No. 2 retainer.
- (b) Remove the 3 bolts and screw.
- (c) 2-Door vehicle:
Using a heat light, heat the moulding to 20 - 30°C (68 - 86°F).

NOTICE:**Do not heat the moulding excessively.**

- (d) 2-Door vehicle:
Cut the adhesive tape with a knife.

NOTICE:**Do not damage the body.**

- (e) Remove the moulding.