

REMOVAL

1. 2-Door vehicle:

REMOVE FRONT DOOR SCUFF PLATE

- (a) Insert a screwdriver between the front door scuff plate and body to pry it out.

HINT:

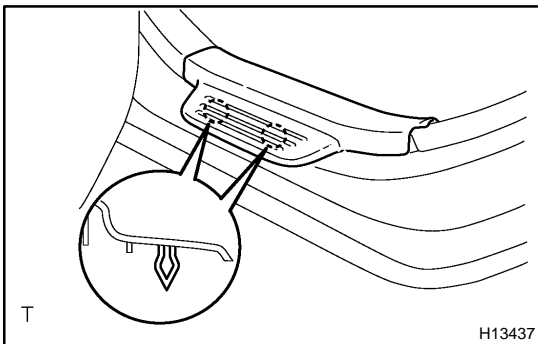
Tape the screwdriver tip before use.

- (b) Use the same manner described above to the other side.

2. 2-Door vehicle:

REMOVE FRONT DOOR OPENING TRIMS

Remove the front door opening trims except cowl side trim parts.



3. 4-Door vehicle:

REMOVE REAR DOOR SCUFF PLATES

- (a) Insert a screwdriver between the rear door scuff plate and body to pry it out.

HINT:

Tape the screwdriver tip before use.

- (b) Use the same manner described above to the other side.

4. 4-Door vehicle:

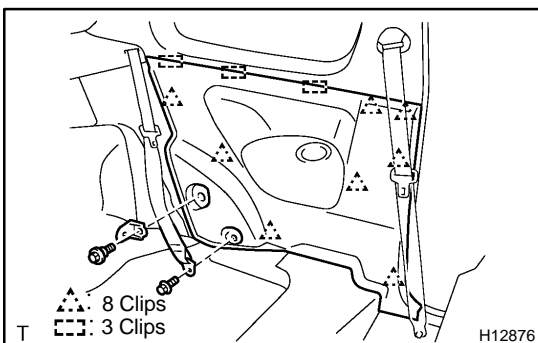
REMOVE REAR DOOR OPENING TRIMS

5. REMOVE REAR SEAT CUSHION

(See page [BO-101](#) or [BO-106](#))

6. REMOVE REAR SEATBACK

(See page [BO-101](#) or [BO-106](#))



7. 2-Door vehicle:

REMOVE QUARTER TRIM

- (a) Remove the bolt and rear seat outer belt floor anchor.

Torque: 41 N·m (420 kgf·cm, 30 ft·lbf)

- (b) w/ Split type rear seat:

Remove the bolt and rear seatback hinge.

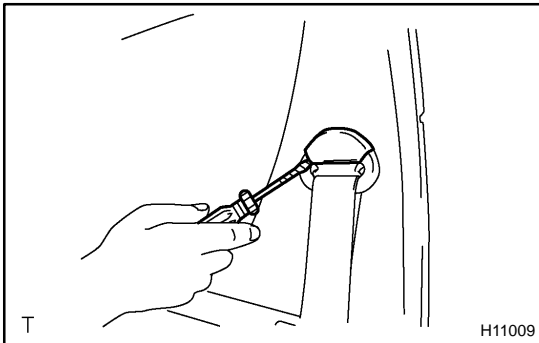
Torque: 41 N·m (420 kgf·cm, 30 ft·lbf)

- (c) Insert a screwdriver between the quarter trim and body to pry it out.

HINT:

Tape the screwdriver tip before use.

- (d) Use the same manner described above to the other side.



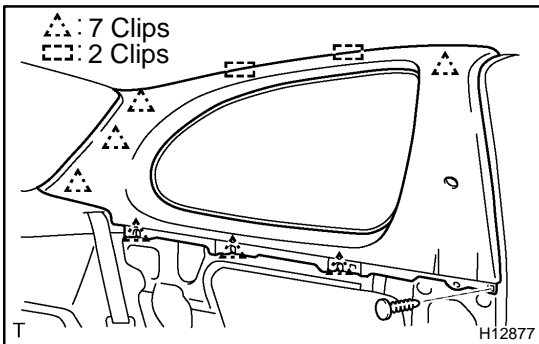
**8. 2-Door vehicle:
REMOVE ROOF SIDE INNER GARNISH**

- (a) Using a screwdriver, open the seat belt shoulder anchor cover cap.

HINT:

Tape the screwdriver tip before use.

- (b) Remove the bolt and front seat outer belt shoulder anchor.

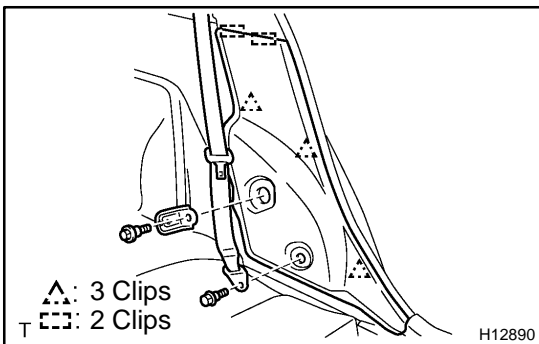


- (c) Remove the clip.
(d) Insert a screwdriver between the roof side inner garnish and body to pry it out.

HINT:

Tape the screwdriver tip before use.

- (e) Use the same manner described above to the other side.



**9. 4-Door vehicle:
REMOVE REAR SEAT SIDE GARNISH**

- (a) Remove the bolt and rear seat outer belt floor anchor.

- (b) w/ Split type rear seat:

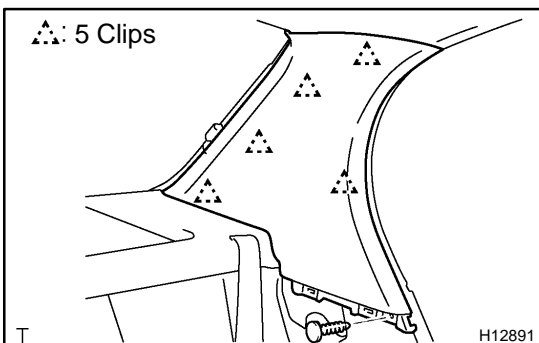
Remove the bolt and rear seatback hinge.

- (c) Using a screwdriver, remove the rear seat side garnish.

HINT:

Tape the screwdriver tip before use.

- (d) Use the same manner described above to the other side.



**10. 4-Door vehicle:
REMOVE ROOF SIDE INNER GARNISH**

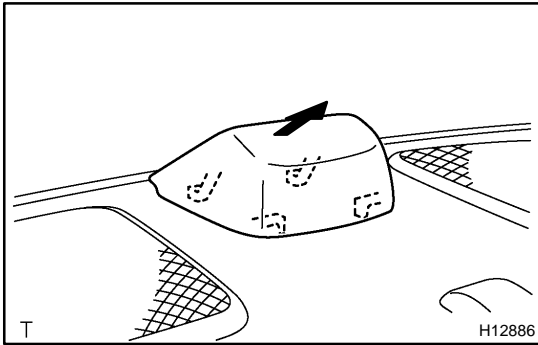
- (a) Remove the clip.

- (b) Insert a screwdriver between the roof side inner garnish and body to pry it out.

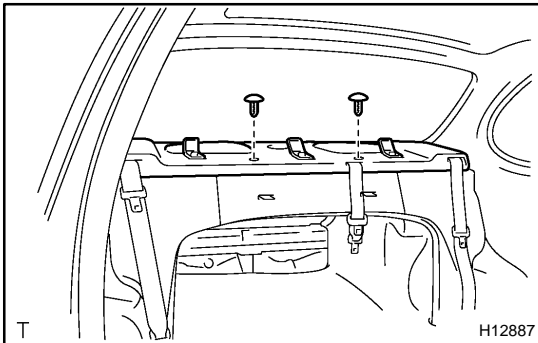
HINT:

Tape the screwdriver tip before use.

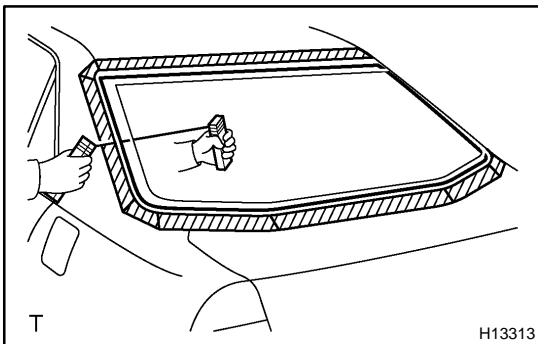
- (c) Use the same manner described above to the other side.

**11. REMOVE HIGH-MOUNTED STOP LIGHT**

- (a) Remove the high-mounted stop light as shown in the illustration.
- (b) Disconnect the connector.

**12. REMOVE PACKAGE TRAY TRIM PANEL**

- (a) Remove the 2 clips.
- (b) Remove the rear seat belts through the cutout on the package tray trim.
- (c) Pull the package tray trim panel forward to remove it.

13. REMOVE PACKAGE TRAY TRIM SILENCER PAD**14. REMOVE BACK WINDOW GLASS**

- (a) Disconnect the connector.
- (b) Push piano wire through from the interior.
- (c) Tie both wire ends to wooden blocks or similar objects.

HINT:

Apply protective tape to the outer surface to keep the surface from being scratched.

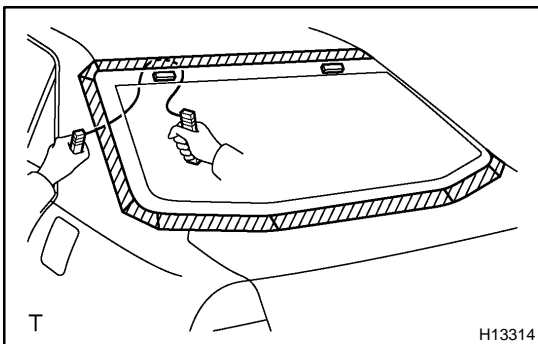
NOTICE:

When separating the glass, take care not to damage the paint and exterior.

- (d) Cut the adhesive by pulling the piano wire around it.

HINT:

Cut the adhesive areas as shown in the illustration, leaving the adhesive where the stoppers are.



- (e) Let the piano wire pass as shown in the illustration, cut off the adhesive sticking to the stoppers, then remove the glass.

NOTICE:

- **Do not damage the glass stoppers.**
- **Leave as much of the adhesive on the body as possible when cutting off the glass.**

