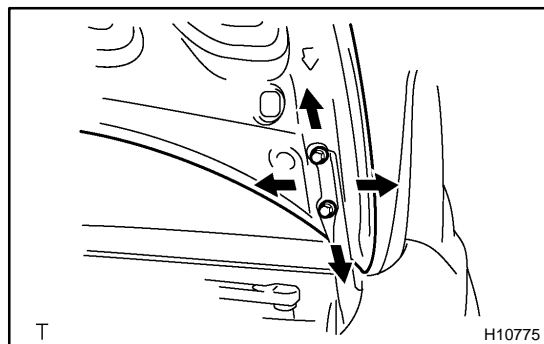


## HOOD ADJUSTMENT

BO2HY-02

### HINT:

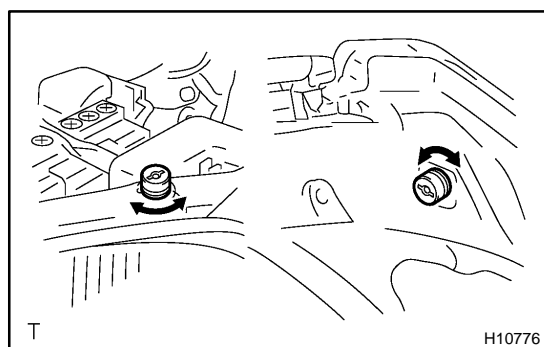
Since the centering bolt is used as the hood hinge and lock set bolt, the hood and lock can not be adjusted with it on. Substitute the standard bolt for the centering bolt.



### 1. ADJUST HOOD IN FORWARD/REARWARD AND LEFT/RIGHT DIRECTIONS

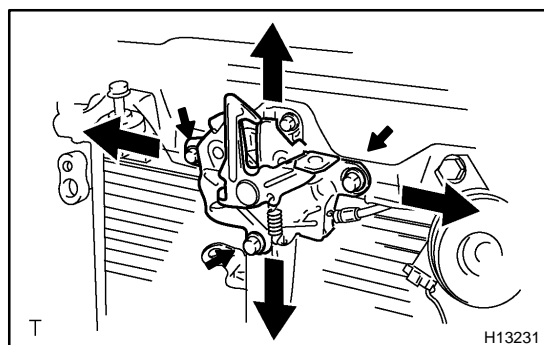
Adjust the hood by loosening the hood side hinge bolts.

**Torque: 11 N·m (115 kgf·cm, 8 ft·lbf)**



### 2. ADJUST FRONT EDGE OF HOOD IN VERTICAL DIRECTION

Adjust the hood by turning the cushions.



### 3. ADJUST HOOD LOCK

Adjust the lock by loosening the 3 bolts.

**Torque: 7.8 N·m (80 kgf·cm, 69 in.-lbf)**