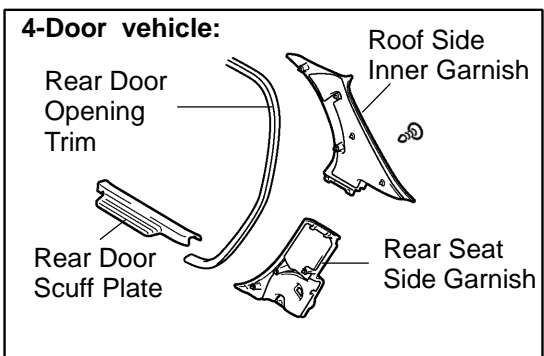
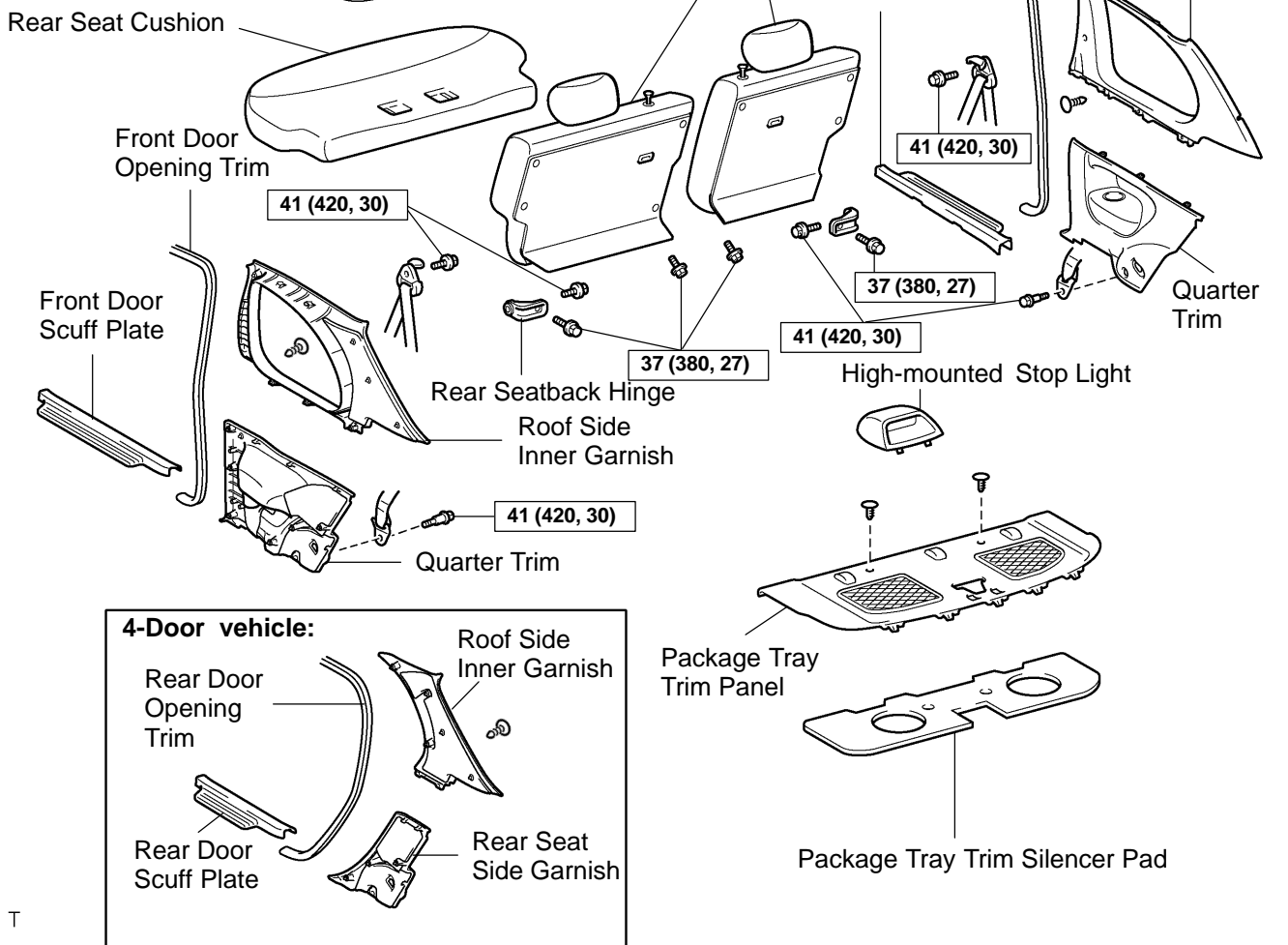
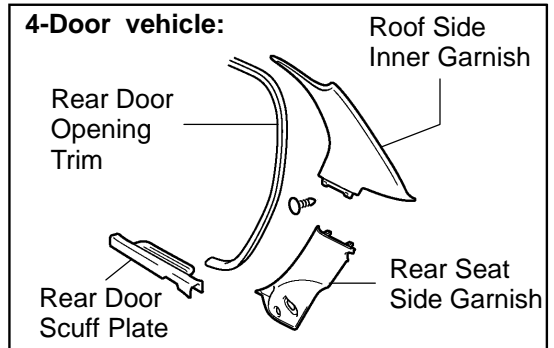
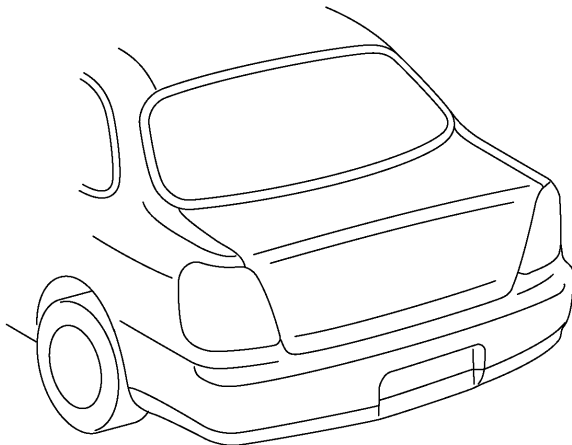


LUGGAGE COMPARTMENT DOOR AND HINGE COMPONENTS

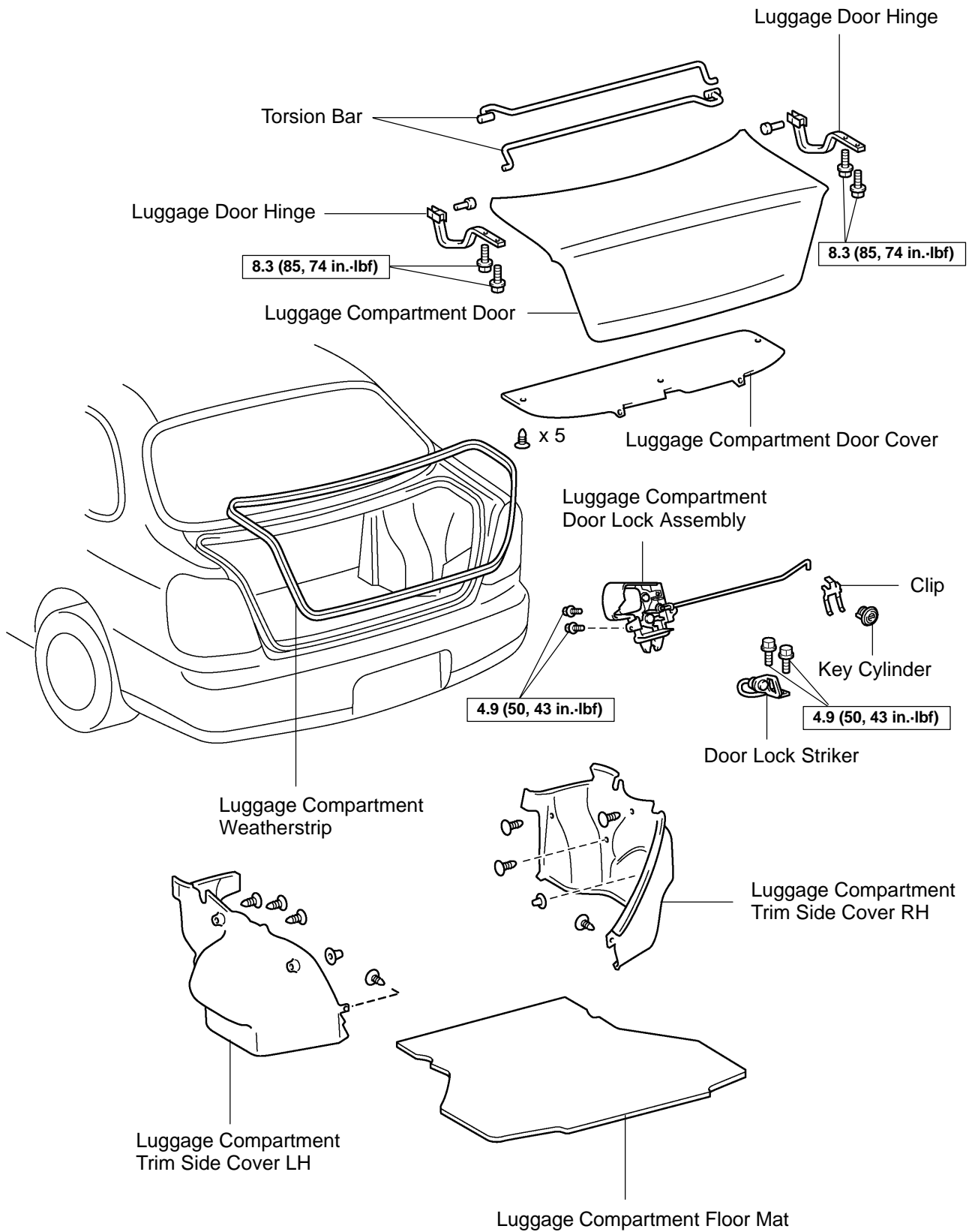
BO2U6-02

2-Door vehicle:



N·m (kgf·cm, ft·lbf) : Specified torque

H13316



N·m (kgf·cm, ft·lbf) : Specified torque

H16085