

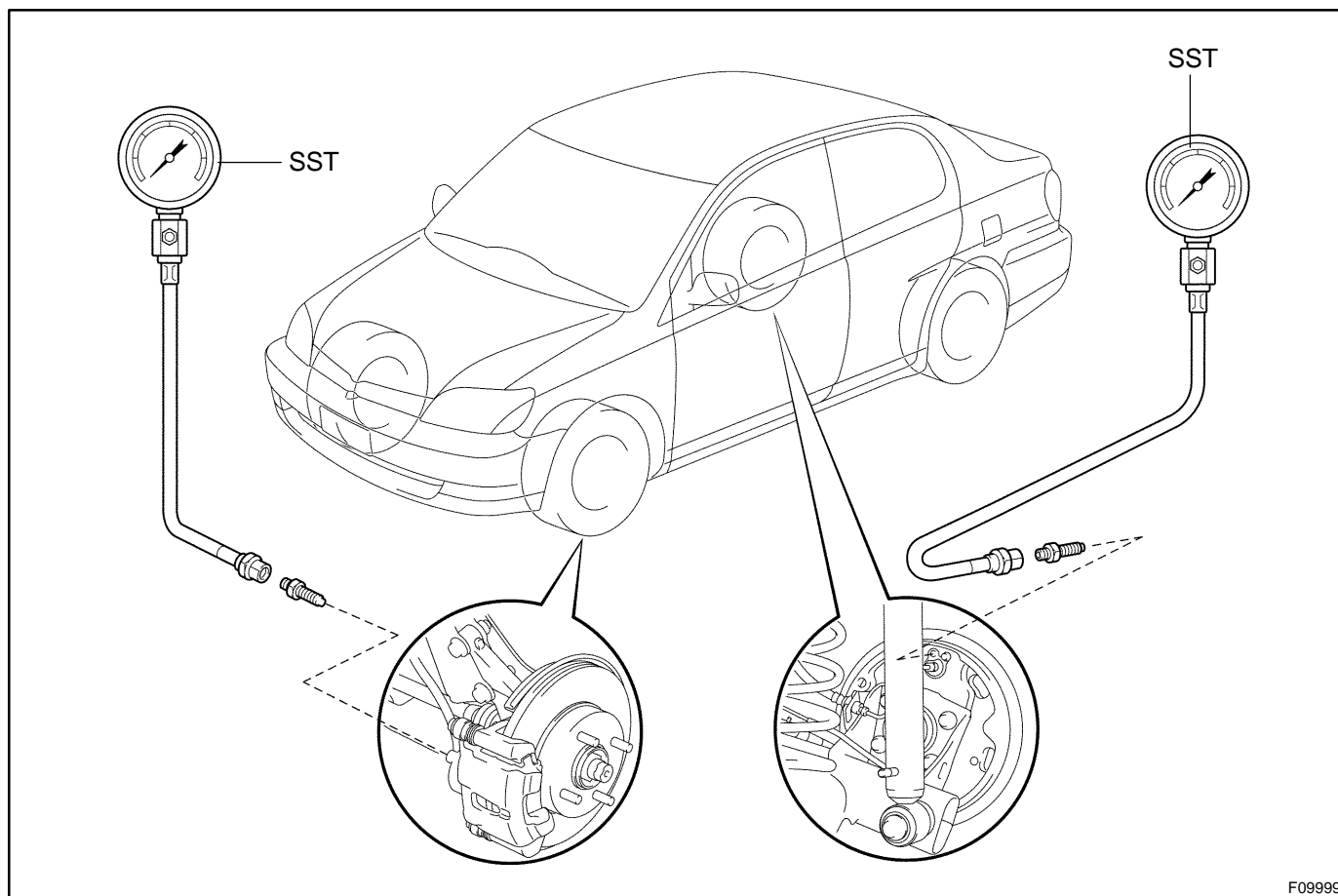
PROPORTIONING VALVE (P VALVE)

BR0RZ-05

ON-VEHICLE INSPECTION

1. INSTALL LSPV GAUGE (SST)

SST 09709-29018



F09999

2. BLEED AIR FROM FLUID PRESSURE GAUGE

3. RAISE FRONT BRAKE CALIPER PRESSURE AND CHECK REAR WHEEL CYLINDER PRESSURE

w/o ABS:

| Front brake caliper pressure | Rear wheel cylinder pressure |
|--|--|
| 2,942 kPa (30 kgf/cm ² , 427 psi) | 2,942 kPa (30 kgf/cm ² , 427 psi) |
| 7,845 kPa (80 kgf/cm ² , 1,138 psi) | 4,168 kPa (42.5 kgf/cm ² , 604 psi) |

When inspecting the fluid pressure, inspect the left front and right rear together, and the right front and left rear together.

If the rear wheel cylinder pressure is incorrect, replace the ABS actuator.

4. REMOVE LSPV GAUGE (SST) AND BLEED BRAKE SYSTEM (See page BR-4)

SST 09709-29018

5. CHECK FOR LEAKS