

REMOVAL

1. INSPECT SHOE LINING THICKNESS

Remove the adjustment hole plug, and check the shoe lining thickness through the hole.

If less than minimum, replace the shoes.

Minimum thickness: 1.0 mm (0.039 in.)

2. REMOVE REAR WHEEL

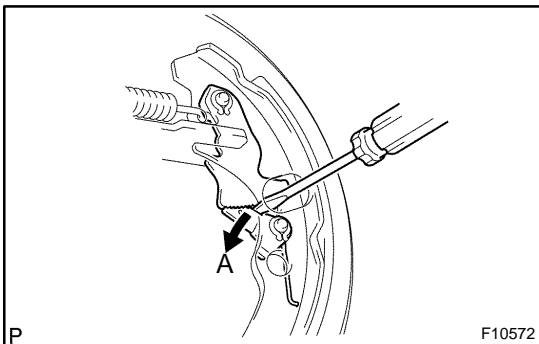
3. RELEASE PARKING BRAKE LEVER

4. REMOVE BRAKE DRUM

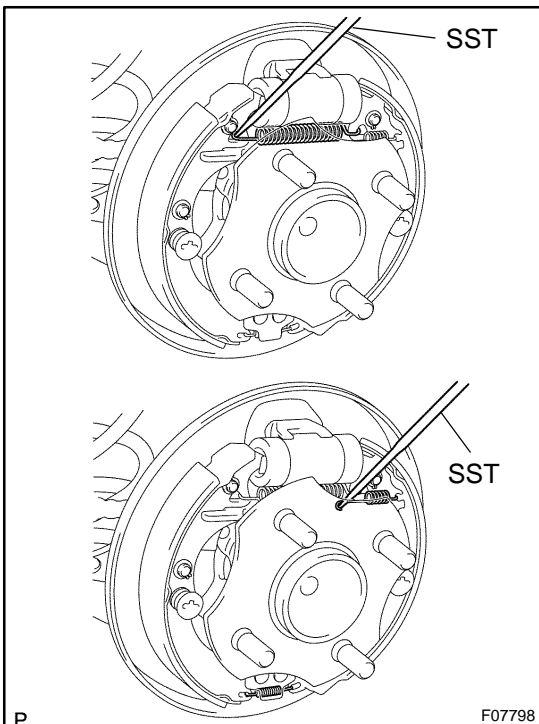
HINT:

If the brake drum cannot be removed easily, do the following steps.

- (a) Remove the adjustment hole plug and insert a screwdriver through the hole in the backing plate.



- (b) Place the end of a screw driver against the surface of the adjusting latch, and move it in the direction "A".

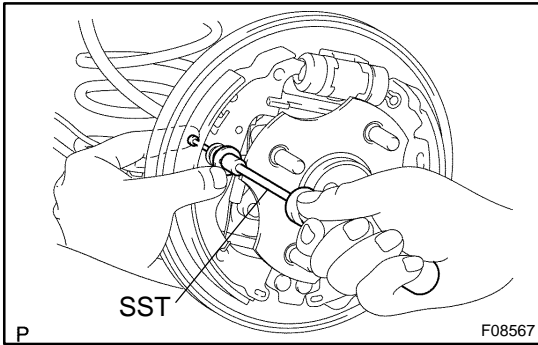


5. REMOVE FRONT SHOE

Remove the front shoe.

- (1) Using SST, remove the 2 return springs and anchor spring.

SST 09703-30010



- (2) Using SST, remove the cup, shoe hold-down spring and pin.

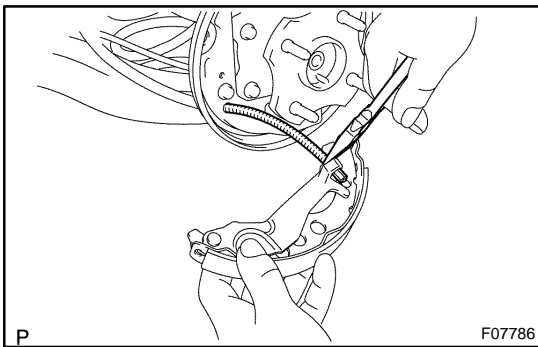
SST 09718-00010

- (3) Remove the front shoe and strut.
 (4) Remove the 2 C-washers.
 (5) Remove the automatic adjusting lever, automatic adjusting lever spring and automatic adjusting latch.

6. REMOVE REAR SHOE

- (a) Using SST, remove the cup, shoe hold-down spring and pin.

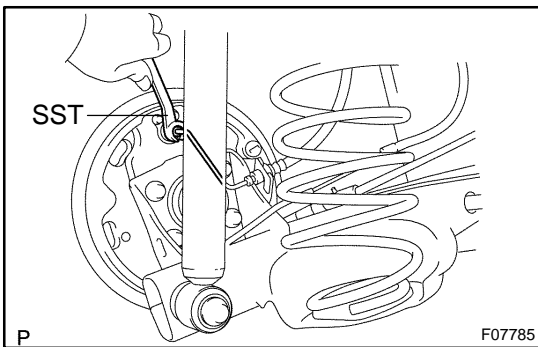
SST 09718-00010



- (b) Using needle-nose pliers, disconnect the parking brake cable from the parking brake lever, and remove the rear shoe.

7. REMOVE PARKING BRAKE LEVER

- (a) Remove the C-washer.
 (b) Remove the parking lever from rear shoe.



8. REMOVE WHEEL CYLINDER

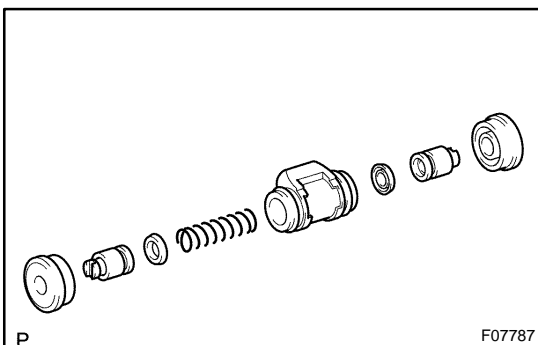
- (a) Using SST, disconnect the brake line. Use a container to catch the brake fluid.

SST 09751-3601 1

Torque: 15 N·m (155 kgf·cm, 11 ft·lbf)

- (b) Remove the bolt and the wheel cylinder.

Torque: 10 N·m (100 kgf·cm, 7 ft·lbf)



9. DISASSEMBLE WHEEL CYLINDER

- (a) Remove the 2 boots from the wheel cylinder.
 (b) Remove the 2 pistons from the wheel cylinder.
 (c) Remove the spring from the wheel cylinder.
 (d) Remove the 2 piston cups from each piston.