

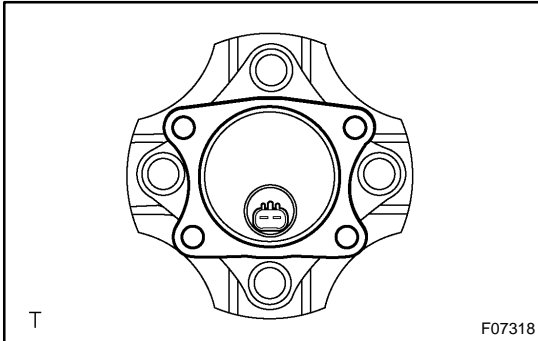
INSTALLATION

1. INSTALL NEW ABS SPEED SENSOR

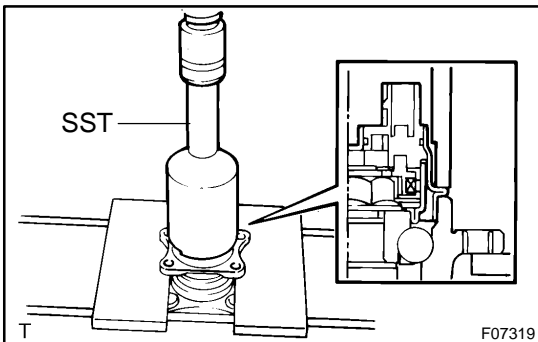
- (a) Clean the contacting surface of the axle hub and a new ABS speed sensor.

NOTICE:

Do not stick any foreign objects to the sensor rotor.



- (b) Place the ABS speed sensor on the axle hub so that the connector is set at the bottom under the on-vehicle condition.



- (c) Using SST and a press, install a new ABS speed sensor to the axle hub.

SST 09214-7601 1

NOTICE:

- Do not tap the speed sensor with a hammer directly.
- Check that there should be no foreign objects on the speed sensor detection portion.
- Press in the ABS speed sensor straight and slowly.

2. INSTALL SPEED SENSOR WITH REAR AXLE HUB
(See page [SA-45](#))
3. CONNECT SPEED SENSOR CONNECTOR
4. INSTALL REAR WHEEL
Torque: 103 N·m (1,050 kgf·cm, 76 ft·lbf)
5. CHECK SPEED SENSOR SIGNAL (See page [DI-201](#))