

CLUTCH PEDAL INSPECTION

CL09S-01

1. CHECK THAT PEDAL HEIGHT IS CORRECT

Pedal height from dash panel:

134.3 - 144.3 mm (5.287 - 5.681 in.)

2. IF NECESSARY, ADJUST PEDAL HEIGHT

Loosen the lock nut and turn the stopper bolt until the height is correct. Tighten the lock nut.

3. CHECK THAT PEDAL FREE PLAY AND PUSH ROD PLAY ARE CORRECT

(a) Push in on the pedal until the beginning of clutch resistance is felt.

Pedal free play: 5.0 - 15.0 mm (0.197 - 0.591 in.)

(b) Gently push on the pedal until the resistance begins to increase a little.

Push rod play at pedal top:

1.0 - 5.0 mm (0.039 - 0.197 in.)

4. IF NECESSARY, ADJUST PEDAL FREE PLAY AND PUSH ROD PLAY

(a) Loosen the lock nut and turn the push rod until the free play and push rod play are correct.

(b) Tighten the lock nut.

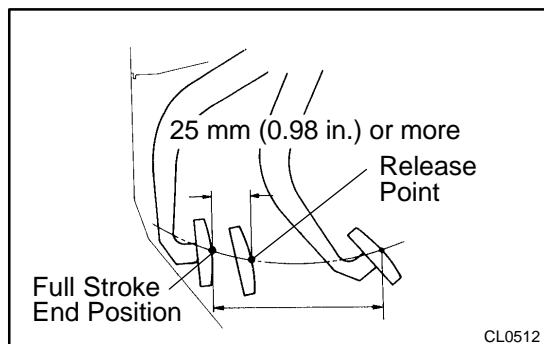
(c) After adjusting the pedal free play, check the pedal height.

5. CHECK CLUTCH RELEASE POINT

(a) Pull the parking brake lever and install wheel stopper.

(b) Start the engine and idle the engine.

(c) Without depressing the clutch pedal, slowly shift the shift lever into reverse position until the gears contact.



- (d) Gradually depress the clutch pedal and measure the stroke distance from where the gear noise stops (release point) up to the full stroke end position.

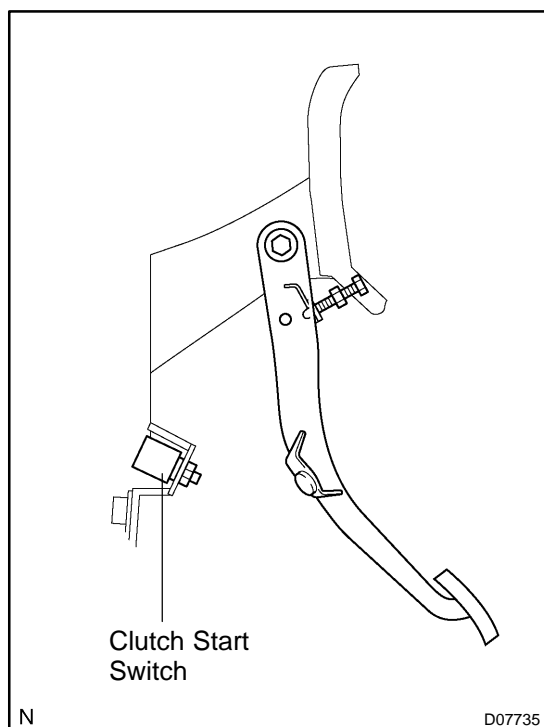
Standard distance:

25 mm (0.98 in.) or more

(From pedal stroke end position to release point)

If the distance is not as specified, perform the following operation.

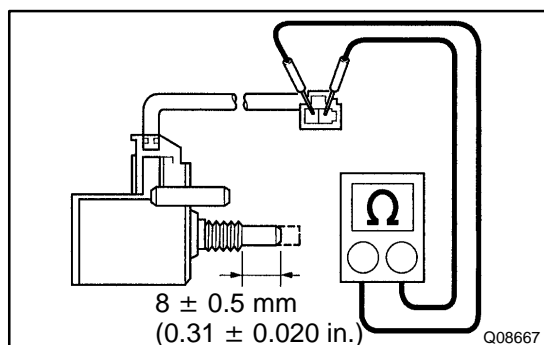
- Check pedal height.
- Check push rod play and pedal free play.
- Bleed clutch line.
- Check clutch cover and disc.



6. CHECK CLUTCH START SYSTEM

- (a) Check that the engine does not start when the clutch pedal is released.
- (b) Check that the engine starts when the clutch pedal is fully depressed.

If necessary, replace the clutch start switch.



7. INSPECT CLUTCH START SWITCH CONTINUITY

Check the continuity between terminals when the switch is ON and OFF.

Switch position	Condition
ON (pushed)	Continuity
OFF (free)	No continuity