

INSTALLATION

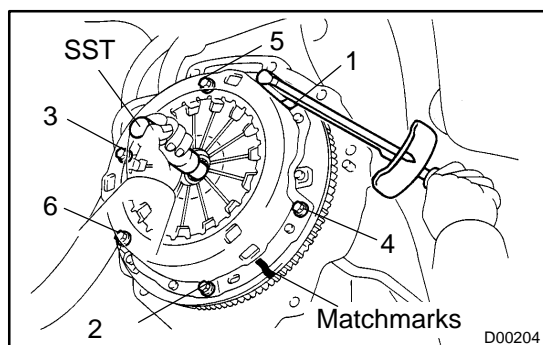
1. INSTALL CLUTCH DISC AND CLUTCH COVER ON FLYWHEEL

- (a) Insert SST in the clutch disc, then insert them in the flywheel.

SST 09301-00210

HINT:

Take care not to insert clutch disc in the wrong direction.



- (b) Align the matchmarks on the clutch cover and flywheel.
 (c) Following the procedures shown in the illustration, tighten the 6 bolts in the order starting the bolt locating near the knock pin on the top.

Torque: 19 N·m (195 kgf·cm, 14 ft·lbf)

HINT:

- Following the order in the illustration, tighten the bolts at a time evenly.
- Move SST up and down, right and left lightly, after checking that the disc is in the center, tighten the bolts.

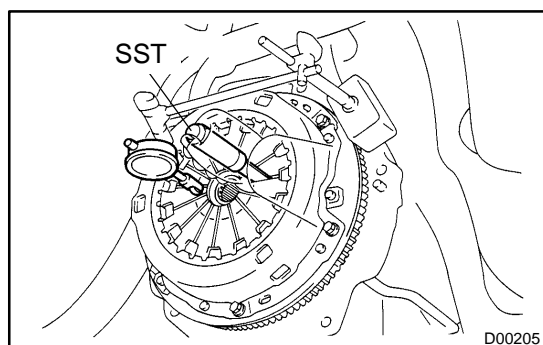
2. CHECK DIAPHRAGM SPRING TIP ALIGNMENT

Using a dial indicator with roller instrument, check the diaphragm spring tip alignment.

Maximum non-alignment: 0.5 mm (0.020 in.)

If alignment is not as specified, using SST, adjust the diaphragm spring tip alignment.

SST 09333-00013



3. INSTALL BOOT AND RELEASE FORK SUPPORT TO TRANSAXLE

Torque: 37 N·m (375 kgf·cm, 27 ft·lbf)

4. APPLY RELEASE HUB GREASE

Apply release hub grease to the release fork and hub contact, release fork and push rod contact and release fork pivot points.

Sealant:

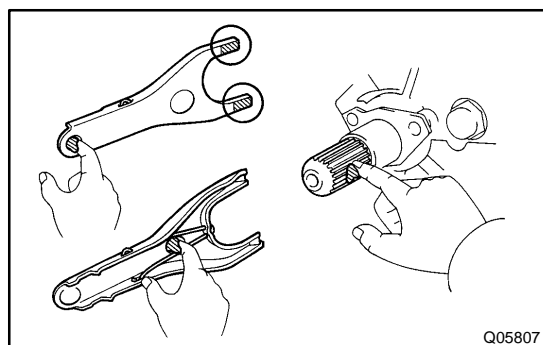
Part No. 08887-01806, RELEASE HUB GREASE or equivalent

5. APPLY CLUTCH SPRING GREASE

Apply clutch spline grease to the input shaft spline.

Sealant:

Part No. 08887-01706, CLUTCH SPLINE GREASE or equivalent



6. INSTALL RELEASE BEARING AND FORK TO TRANSAXLE

Install the bearing to the release fork, and then install them to the transaxle.

7. INSTALL TRANSAXLE TO ENGINE

(See page [MX-8](#))