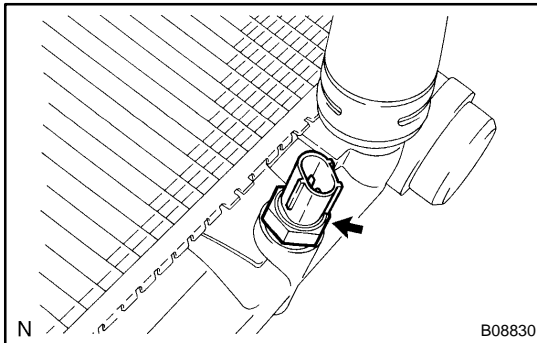


ENGINE COOLANT TEMPERATURE (ECT) SWITCH INSPECTION

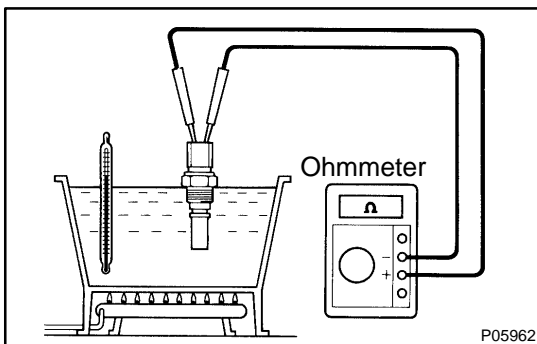
COOXG-01

1. DRAIN ENGINE COOLANT



2. REMOVE ECT SWITCH

- (a) Disconnect the connector.
- (b) Remove the ECT switch.
- (c) Remove the O-ring from the ECT switch.



3. INSPECT ECT SWITCH

- (a) Using an ohmmeter, check that there is no continuity between the terminals when the coolant temperature is above 93°C (199°F).

If there is continuity, replace the switch.

- (b) Using an ohmmeter, check that there is continuity between the terminals when the coolant temperature is below 83°C (181°F).

If there is no continuity, replace the switch.

4. REINSTALL ECT SWITCH

- (a) Install a new O-ring to the ECT switch.
- (b) Install the ECT switch.
- (c) Connect the connector.

5. REFILL WITH ENGINE COOLANT

6. START ENGINE AND CHECK FOR COOLANT LEAKS