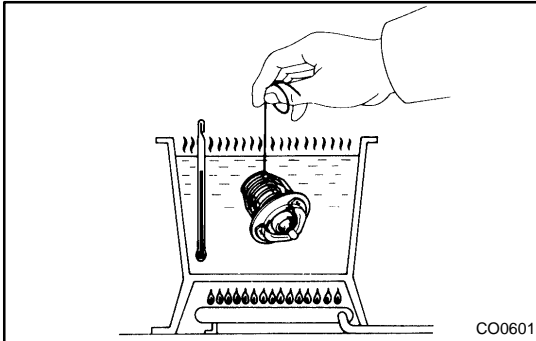


## INSPECTION

### INSPECT THERMOSTAT

#### HINT:

The thermostat is numbered with the valve opening temperature.



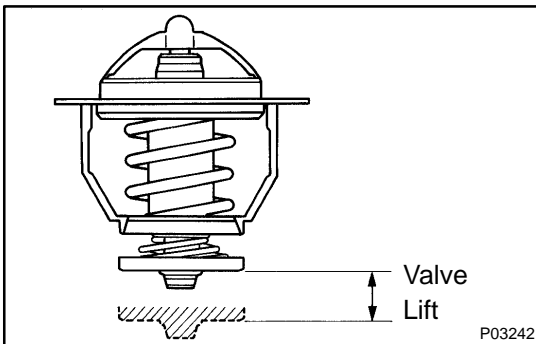
(a) Immerse the thermostat in water and gradually heat the water.

(b) Check the valve opening temperature.

#### Valve opening temperature:

**80 – 84°C (176 - 183°F)**

If the valve opening temperature is not as specified, replace the thermostat.



(c) Check the valve lift.

**Valve lift: 8.5 mm (0.345 in.) or more at 93°C (199°F)**

If the valve lift is not as specified, replace the thermostat.

(d) Check that the valve is fully closed when the thermostat is at low temperatures (below 40°C (104°F)).

If not closed, replace the thermostat.