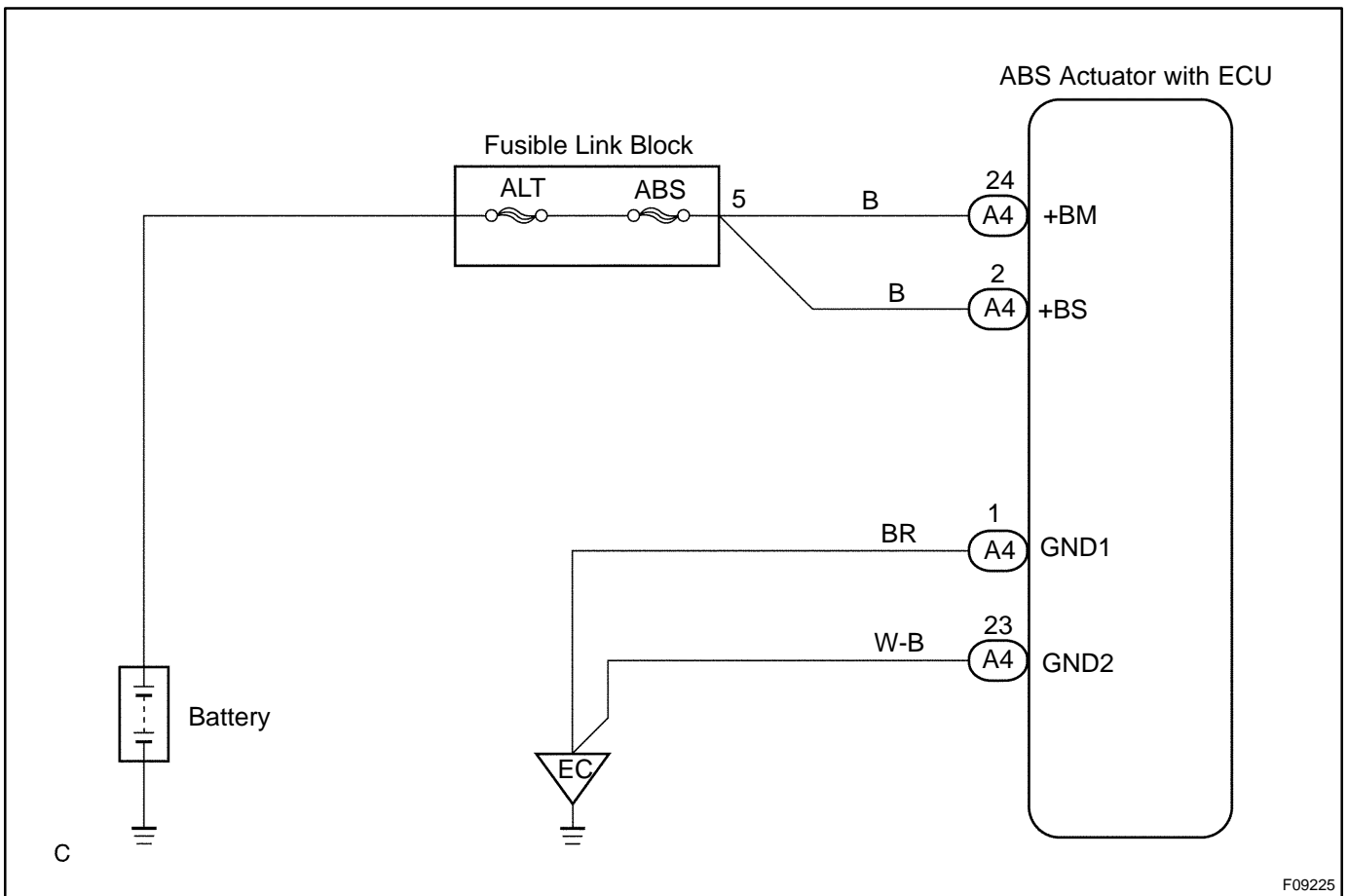


DTC	C1251 / 51	ABS Pump Motor Lock
------------	-------------------	----------------------------

CIRCUIT DESCRIPTION

DTC No.	DTC Detecting Condition	Trouble Area
C1251 / 51	ABS actuator pump motor is not operating normally during initial check.	ABS pump motor

WIRING DIAGRAM



F09225

INSPECTION PROCEDURE

1	Check ABS pump motor operation.
----------	--

PREPARATION:

- (a) Connect the TOYOTA hand-held tester to the DLC3.
- (b) Turn the ignition switch ON and push the TOYOTA hand-held tester main switch ON.
- (c) Select the ACTIVE TEST mode on the TOYOTA hand-held tester.

CHECK:

Check the operation sound of the ABS pump motor when operating it with the TOYOTA hand-held tester.

OK:

The operation sound of the ABS pump motor should be heard.

NG**Check and replace ABS actuator assembly.****OK**

Proceed to next circuit inspection shown in problem symptoms chart (See page [DI-208](#)).