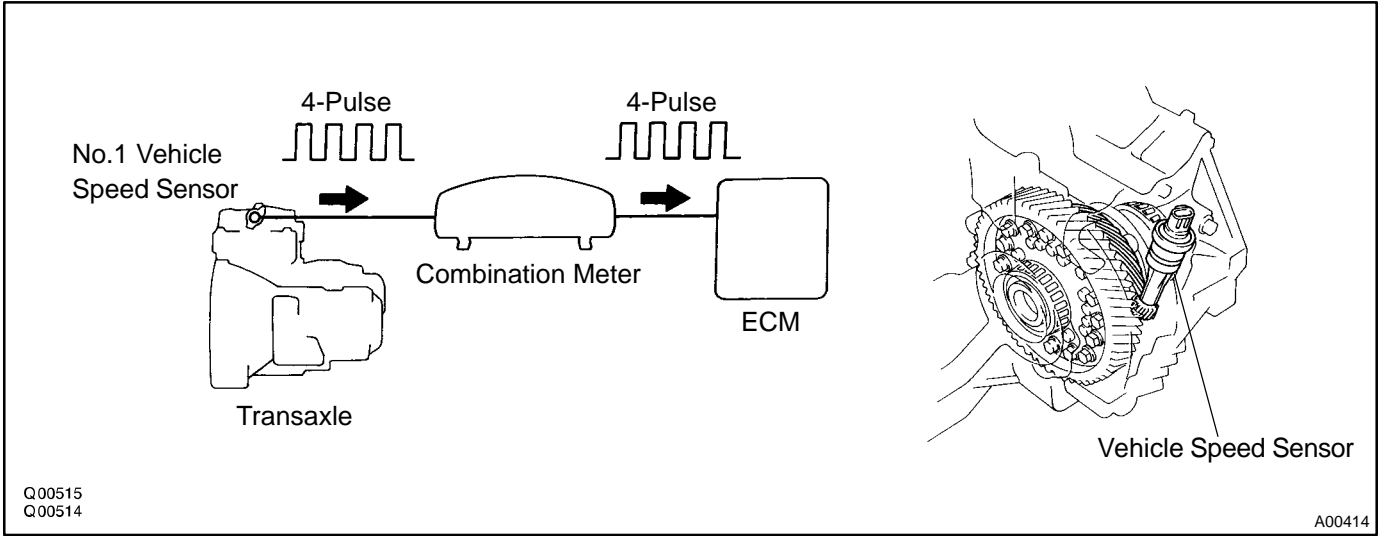


<b>DTC</b>	<b>P0500</b>	<b>Vehicle Speed Sensor Malfunction</b>
------------	--------------	---

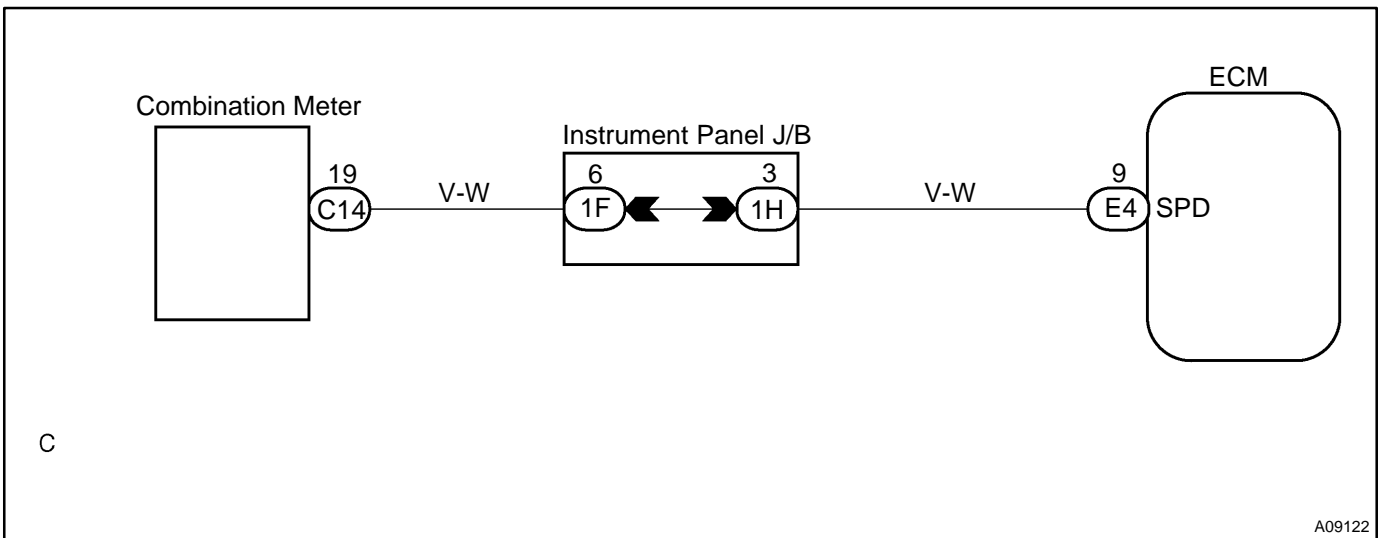
**CIRCUIT DESCRIPTION**

The No.1 vehicle speed sensor outputs a 4-pulse signal for every revolution of the rotor shaft, which is rotated by the transmission output shaft via the driven gear. After this signal is converted into a more precise rectangular waveform by the waveform shaping circuit inside the combination meter, it is then transmitted to the ECM. The ECM determines the vehicle speed based on the frequency of these pluse signals.



DTC No.	DTC Detecting Condition	Trouble Area
P0500	During vehicle is being driven, no vehicle speed sensor signal to ECM (2 trip detection logic)	<ul style="list-style-type: none"> <li>• Combination meter</li> <li>• Open or short in vehicle speed sensor circuit</li> <li>• Vehicle speed sensor</li> <li>• ECM</li> </ul>

**WIRING DIAGRAM**



## INSPECTION PROCEDURE

**HINT:**

Read freeze frame data using TOYOTA hand-held tester or OBD II scan tool. Because freeze frame records the engine conditions when the malfunction is detected, when troubleshooting it is useful for determining whether the vehicle was running or stopped, the engine warmed up or not, the air-fuel ratio lean or rich, etc. at the time of the malfunction.

<b>1</b>	<b>Check operation of speedometer.</b>
----------	--

**CHECK:**

Drive the vehicle and check if the operation of the speedometer in the combination meter is normal.

**HINT:**

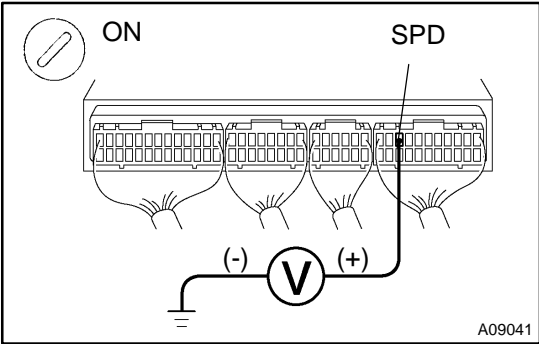
The vehicle speed sensor is operating normally if the speedometer display is normal.

**NG**

**Check speedometer circuit. See combination meter troubleshooting. (See page [BE-2](#)).**

**OK**

**2 Check voltage between terminal SPD of ECM connector and body ground.**



**PREPARATION:**

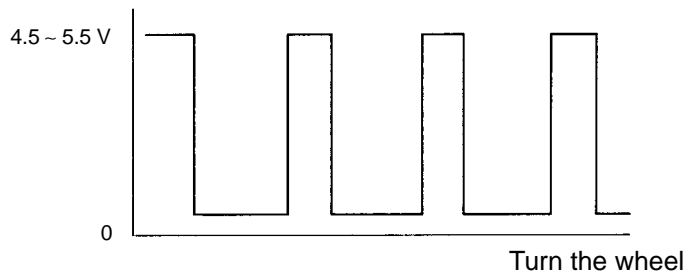
- (a) Remove the connector cover from the ECM.
- (b) Shift the shift lever to neutral.
- (c) Jack up one of the front wheels.
- (d) Turn the ignition switch ON.

**CHECK:**

Measure voltage between terminal SPD of ECM connector and body ground when the wheel is turned slowly.

**OK:**

**Voltage is generated intermittently.**



AT7809

**NG** Check and repair harness and connector between combination meter and ECM.

**OK**

Check and replace ECM (See page [IN-29](#) ).