

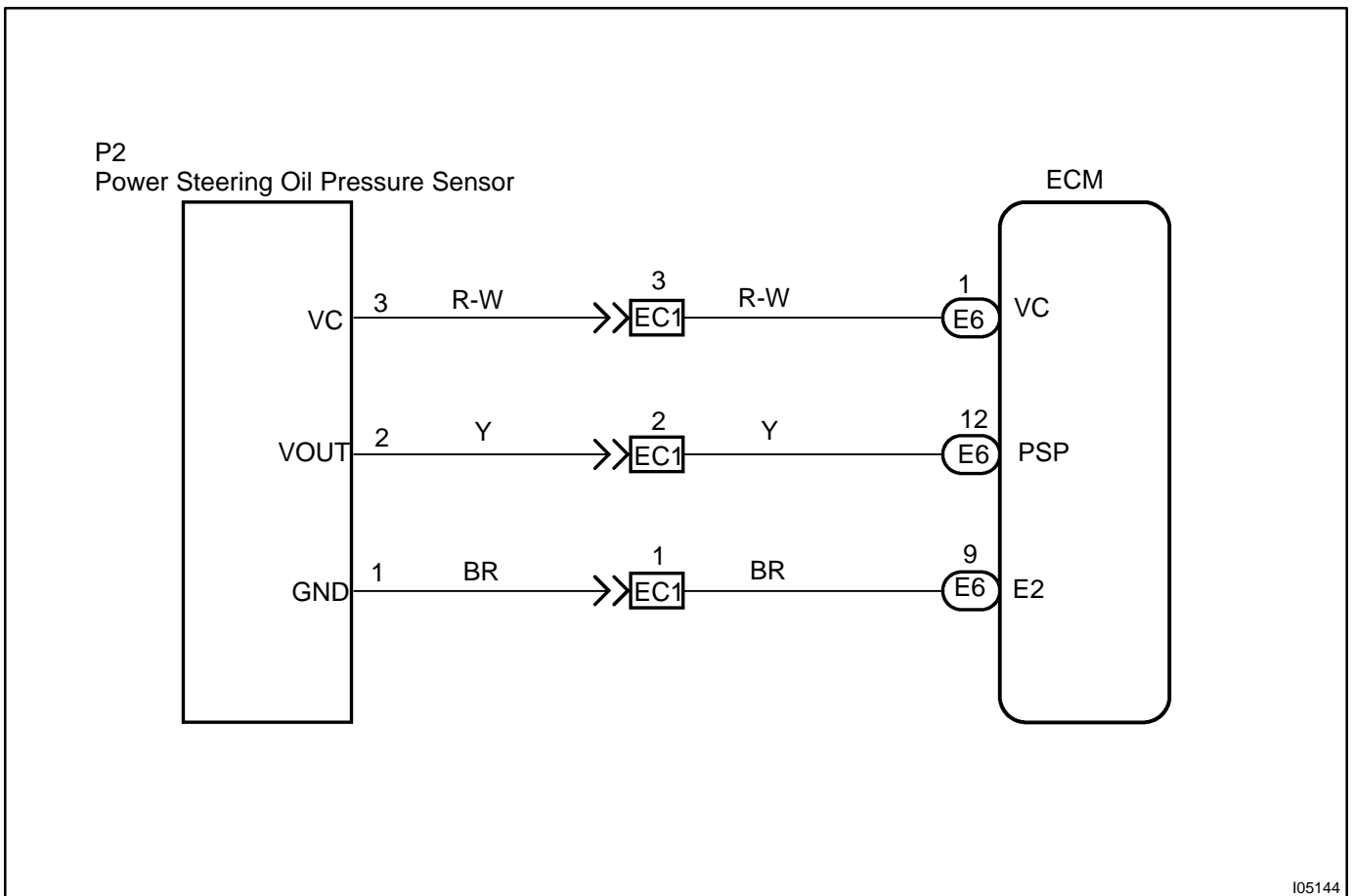
<b>DTC</b>	<b>P0550</b>	<b>Power Steering Pressure Sensor Circuit Malfunction</b>
------------	--------------	---

**CIRCUIT DESCRIPTION**

ECM controls the idle speed the most appropriate according to the signal from the power steering pressure sensor.

DTC No.	DTC Detecting Condition	Trouble Area
P0550	Condition (a) or (b) continues with more than 0.5 secs.: (a) PNP < 0.28 V (b) PNP > 4.9 V	<ul style="list-style-type: none"> <li>• Open in power steering pressure sensor circuit</li> <li>• Power steering oil pressure sensor</li> <li>• ECM</li> </ul>

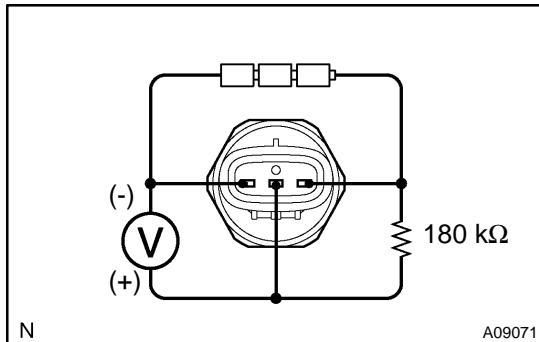
**WIRING DIAGRAM**



105144

## INSPECTION PROCEDURE

## 1 Check power steering oil pressure sensor.

**PREPARATION:**

- (a) Connect the 3 dry batteries of 1.5 V in series.
- (b) Connect the wire harness as shown in the illustration.

**CHECK:**

Measure voltage between terminals Vout and GND.

**OK:**

Power steering fluid pressure	Voltage (V)
0 kPa (0 kgf/cm <sup>2</sup> , 0 psi)	Approx. 0.45
3,500 kPa (36 kgf/cm <sup>2</sup> , 512 psi)	Approx. 2.25
7,000 kPa (71 kgf/cm <sup>2</sup> , 1,010 psi)	Approx. 4.05

NG

Replace power steering oil pressure sensor.

OK

2 Check for open in harness and connector between ECM and power steering oil pressure sensor (See page [IN-29](#)).

NG

Repair or replace harness or connector.

OK

Check and replace ECM(See page [IN-29](#)).