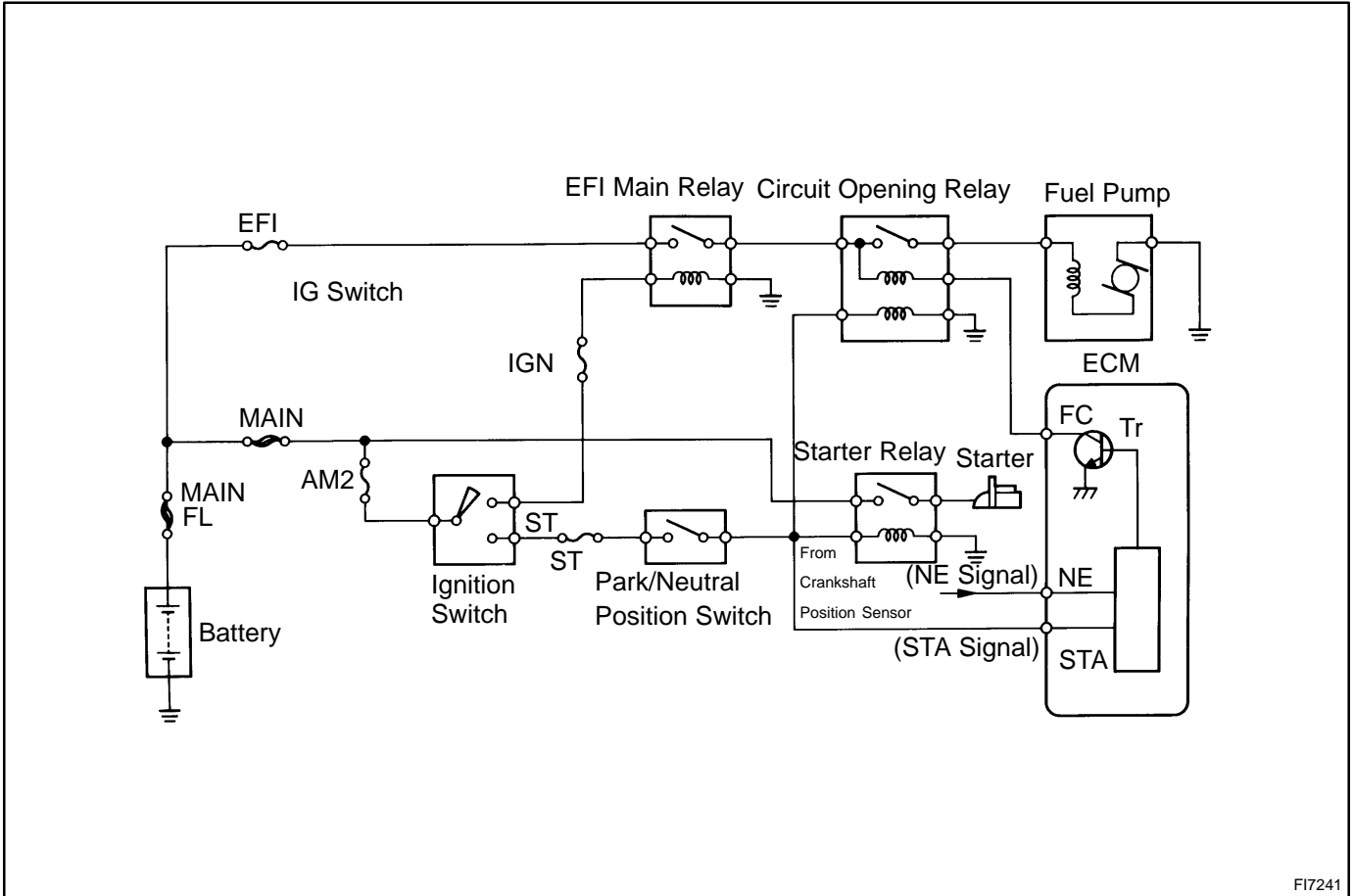


Fuel Pump Control Circuit

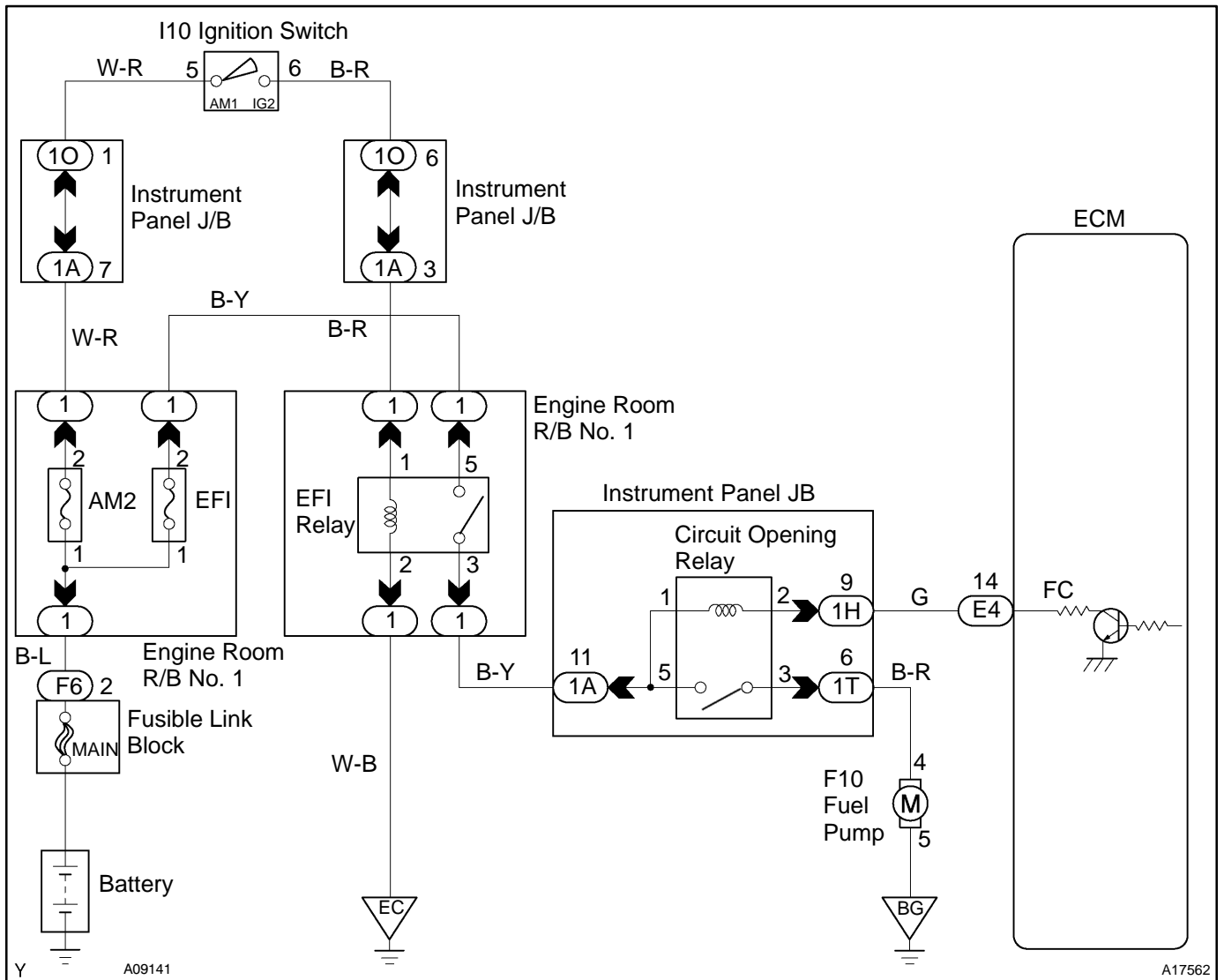
CIRCUIT DESCRIPTION

In the diagram below, when the engine is cranked, current flows from terminal ST of the ignition switch to the starter relay coil and also current flows to terminal STA of ECM (STA signal). When the STA signal and NE signal are input to the ECM, Tr is turned ON, current flows to coil of the circuit opening relay, the relay switches on, power is supplied to the fuel pump and the fuel pump operates. While the NE signal is generated (engine running), the ECM keeps Tr ON (circuit opening relay ON) and the fuel pump also keeps operating.



FI7241

WIRING DIAGRAM



INSPECTION PROCEDURE

TOYOTA hand-held tester:

1	Connect the TOYOTA hand-held tester and check operation of fuel pump (See page DI-3).
----------	--

OK	Proceed to next circuit inspection shown on problem symptoms table (See page DI-21).
-----------	---

NG

2	Check for ECM power source circuit (See page DI-138).
----------	--

NG	Repair or replace.
-----------	---------------------------

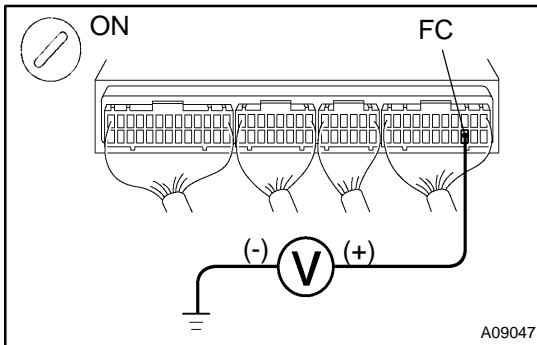
OK

3	Check circuit opening relay (Marking: CIR OPN) (See page SF-48).
----------	---

NG	Replace circuit opening relay.
-----------	---------------------------------------

OK

4 Check voltage between terminal FC of ECM and body ground.



PREPARATION:

- Remove the connector cover from the ECM.
- Turn the ignition switch ON.

CHECK:

Measure voltage between terminal FC of the ECM and body ground.

OK:

Voltage 9 - 14 V

NG

Check for open in harness and connector between EFI main relay and circuit opening relay and ECM (See page [IN-29](#)).

OK

5 Check fuel pump (See page [SF-6](#)).

NG

Repair or replace fuel pump.

OK

6 Check for open in harness and connector between circuit opening relay (Marking: CIR OPN) and fuel pump and body ground (See page [IN-29](#)).

NG

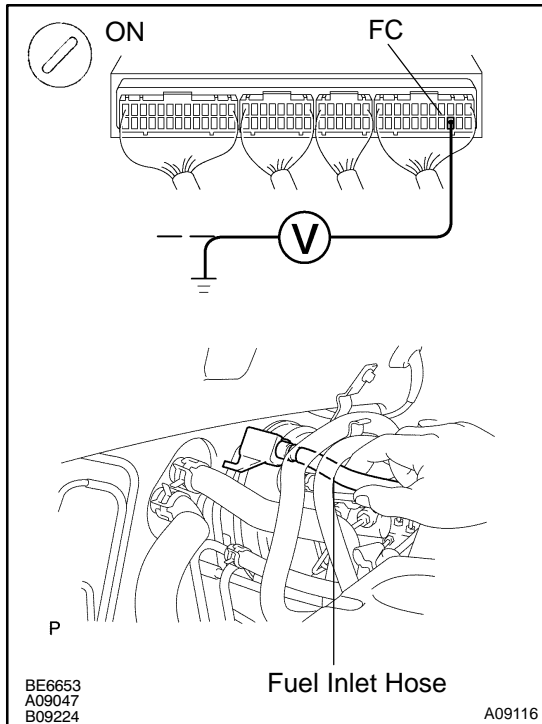
Repair or replace harness or connector.

OK

Check and replace ECM (See page [IN-29](#)).

OBD II scan tool (excluding TOYOTA hand-held tester):

1 Check operation of fuel pump.



PREPARATION:

- (a) Remove the connector cover from the ECM.
- (b) Turn the ignition switch ON.

CHECK:

- (a) Connect between terminal FC of the ECM connector and body ground.
- (b) Check for fuel pressure in the fuel inlet hose when it is pinched off.

OK:

There is pressure in fuel inlet hose.

HINT:

At this time, you will hear a fuel return flowing noise.

OK Proceed to next circuit inspection shown on problem symptoms table (See page [DI-21](#)).

NG

2 Check for ECM power source circuit (See page [DI-138](#)).

NG Repair or replace.

OK

3 Check circuit opening relay (Marking: CIR OPN) (See page [SF-48](#)).

NG Replace circuit opening relay.

OK

4 Check voltage between terminal FC of ECM and body ground (See page [DI-141](#)).

NG

Check for open in harness and connector between EFI main relay and circuit opening relay and ECM (See page [IN-29](#)).

OK

5 Check fuel pump (See page [SF-6](#)).

NG

Repair or replace fuel pump.

OK

6 Check for open in harness and connector between circuit opening relay (Marking: CIR OPN) and fuel pump and body ground (See page [IN-29](#)).

NG

Repair or replace harness or connector.

OK

Check and replace ECM (See page [IN-29](#)).