

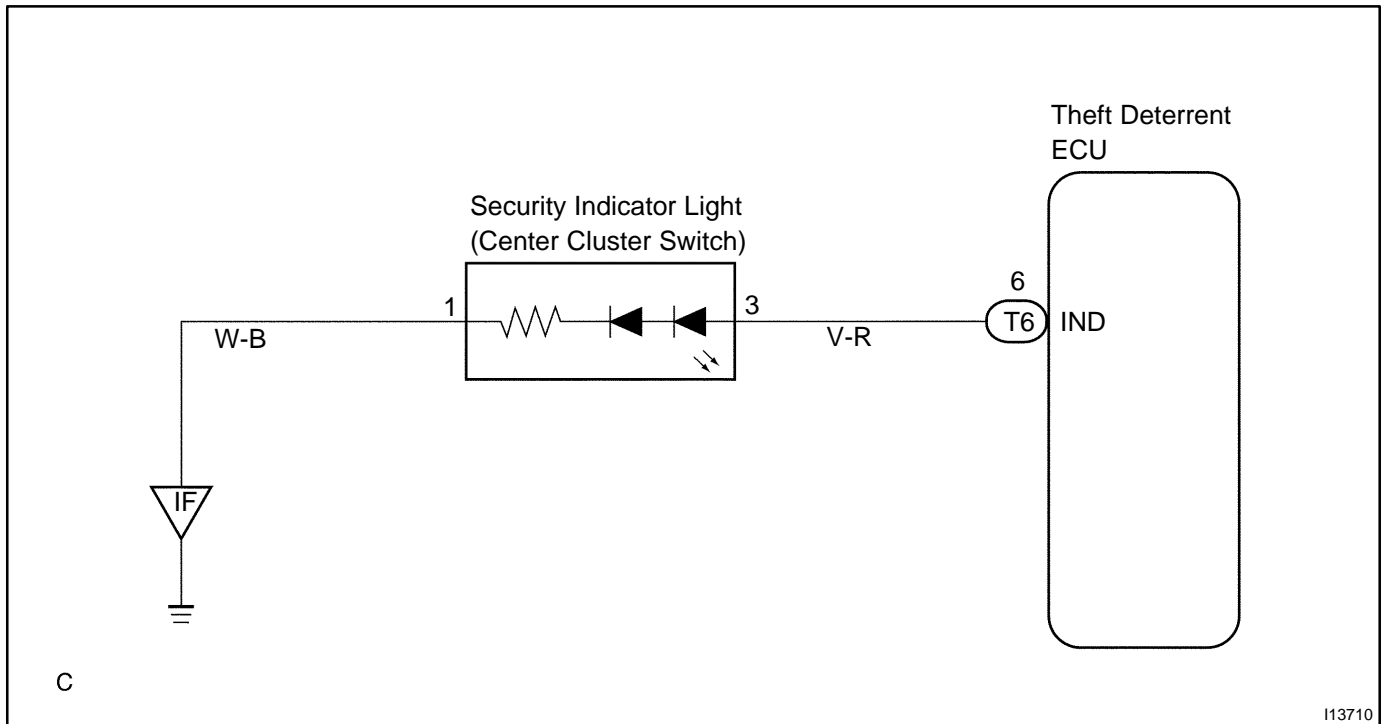
CIRCUIT INSPECTION

Indicator Light Circuit

CIRCUIT DESCRIPTION

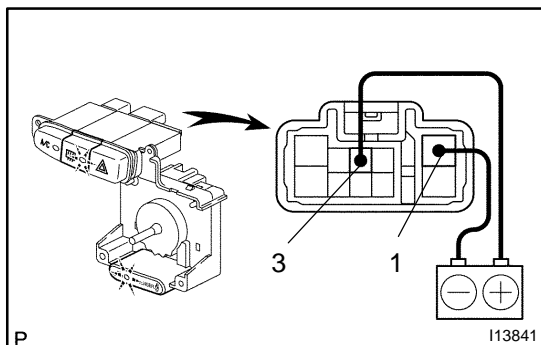
When the theft deterrent system is preparing to set, this circuit lights up the indicator light. When the system has been set, it continually turns the indicator light ON for 0.75 second and turns it OFF for 1.25 second, thus blinking the indicator light.

WIRING DIAGRAM



INSPECTION PROCEDURE

| | |
|---|------------------------|
| 1 | Check indicator light. |
|---|------------------------|



PREPARATION:

Disconnect the indicator light connector.

CHECK:

Connect the positive (+) lead to terminal 3 and the negative (-) lead to terminal 1 of indicator light connector.

OK:

Indicator light comes on.

| | |
|-----------|--------------------------|
| NG | Replace indicator light. |
|-----------|--------------------------|

OK

2 Check harness and connector between theft deterrent ECU and indicator light, indicator light and body ground (See page [IN-29](#)).

NG Repair or replace harness or connector.

OK

Check and replace theft deterrent ECU.*1

*1: When there is a malfunction that the theft deterrent system cannot be set, proceed to the next numbered circuit inspection shown in problem symptoms table (See page [DI-412](#)).