

# Theft Deterrent Horn Circuit

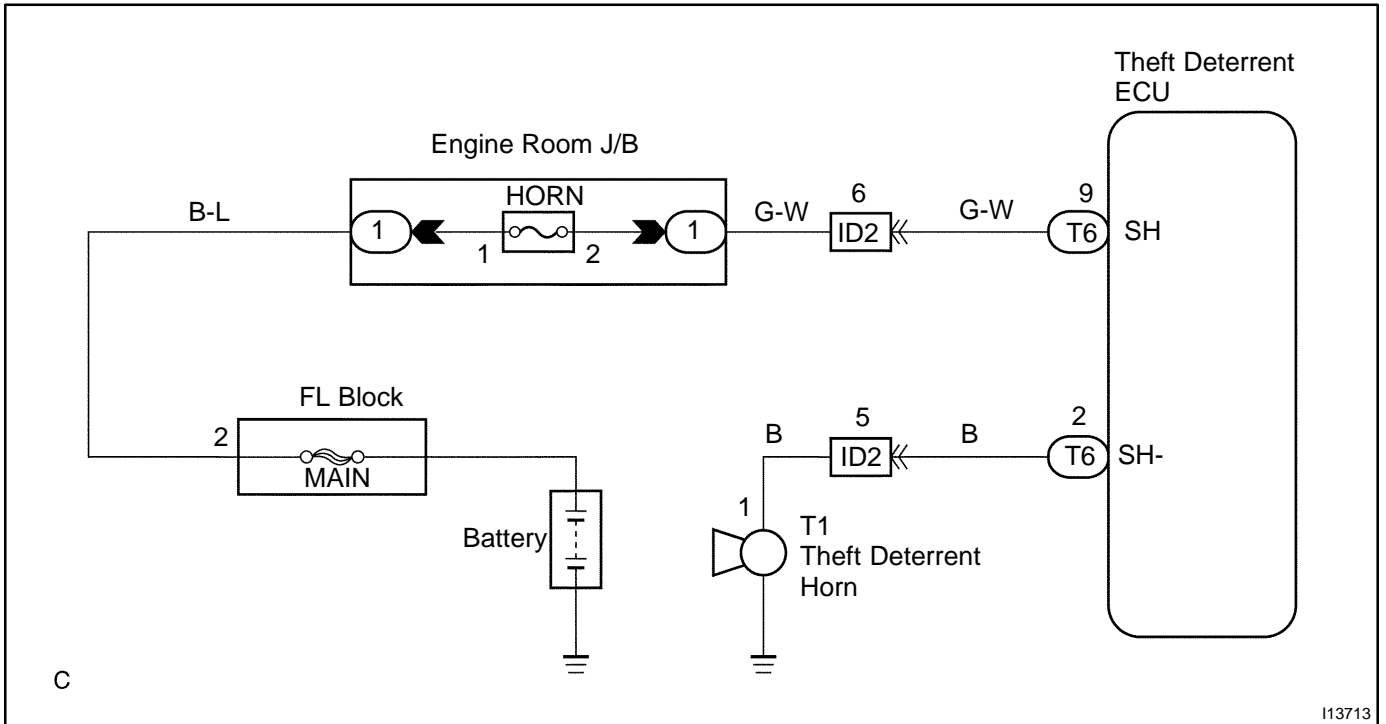
## CIRCUIT DESCRIPTION

When the theft deterrent system is activated, the relay in the ECU turns ON and OFF cycles of approximately 0.2 sec., causing the theft deterrent horn to blow (See the wiring diagram below).

In this condition, if any of the following operations is done, the relay in the ECU turns OFF, thus stopping the theft deterrent horn from blowing:

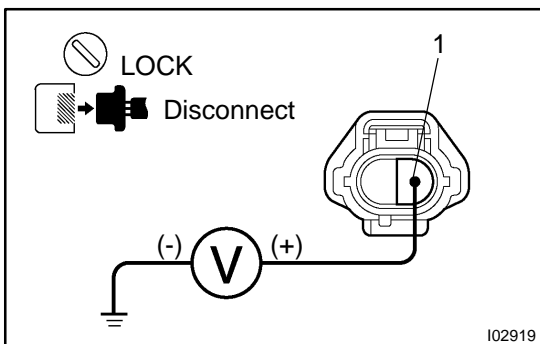
- (1) Unlock the front LH or RH door with a key.
- (2) Turn the ignition switch to IG or ON position.
- (3) Unlock the doors with the wireless door lock control system.
- (4) Wait for approximately 60 seconds.

## WIRING DIAGRAM



## INSPECTION PROCEDURE

<b>1</b>	<b>Check voltage between terminal 1 of theft deterrent horn connector and body ground.</b>
----------	--



### PREPARATION:

Remove the theft deterrent horn and disconnect the connector.

### CHECK:

Measure voltage between terminal 1 of theft deterrent horn connector and body ground.

### OK:

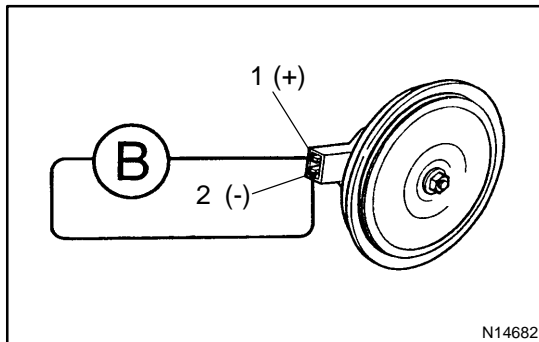
**Voltage: 10 - 14 V**

NG

Check and repair harness and connector between HORN fuse and theft deterrent horn.

OK

## 2 Check theft deterrent horn.



### **CHECK:**

Connect positive (+) lead from the battery to terminal 1 and negative (-) lead to terminal 2 of theft deterrent horn connector.

### **OK:**

Theft deterrent horn blows.

NG

Replace theft deterrent horn.

OK

## 3 Check harness and connector between theft deterrent ECU and theft deterrent horn (See page [IN-29](#)).

NG

Check and repair harness or connector.

OK

Check and replace theft deterrent ECU.