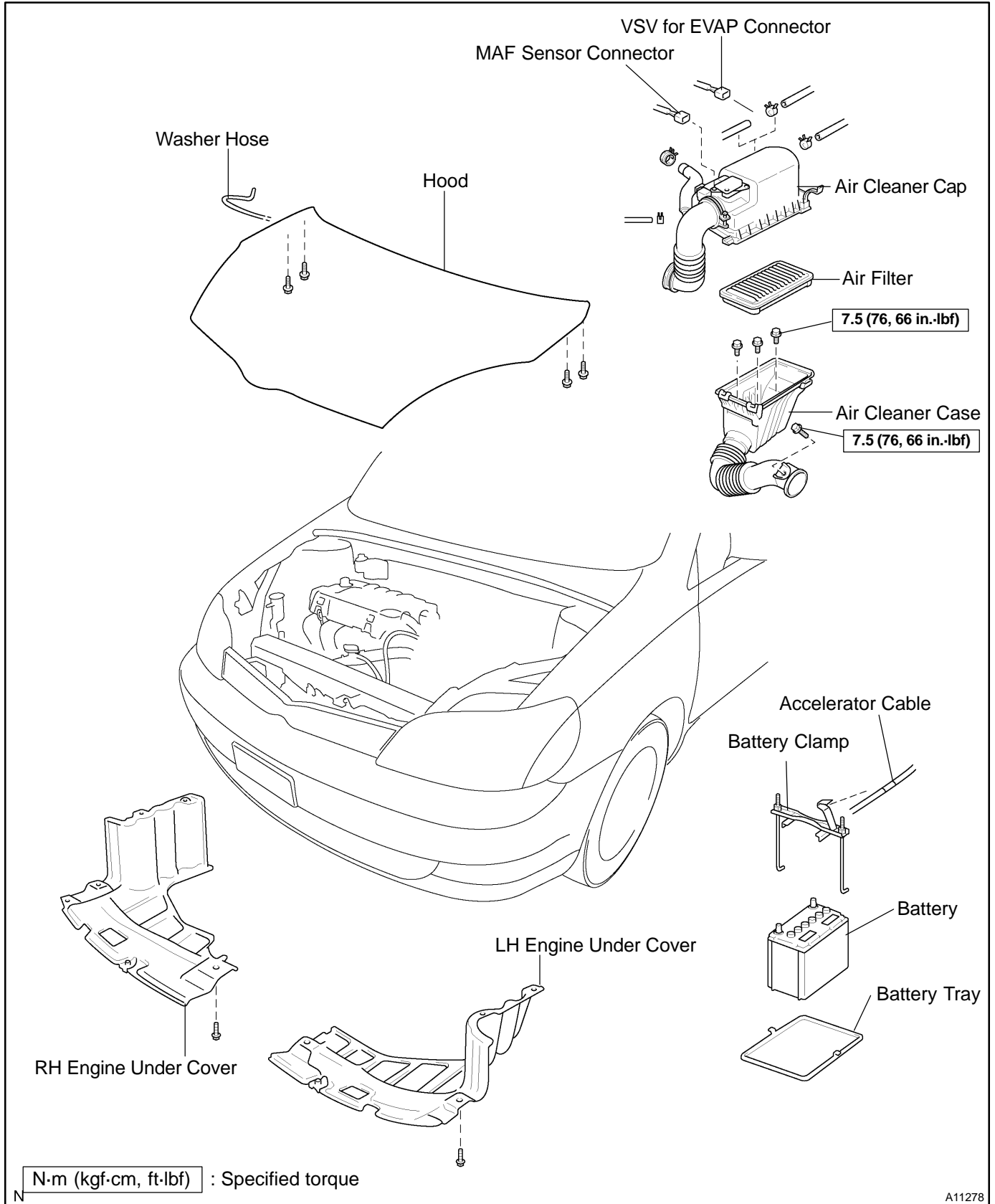
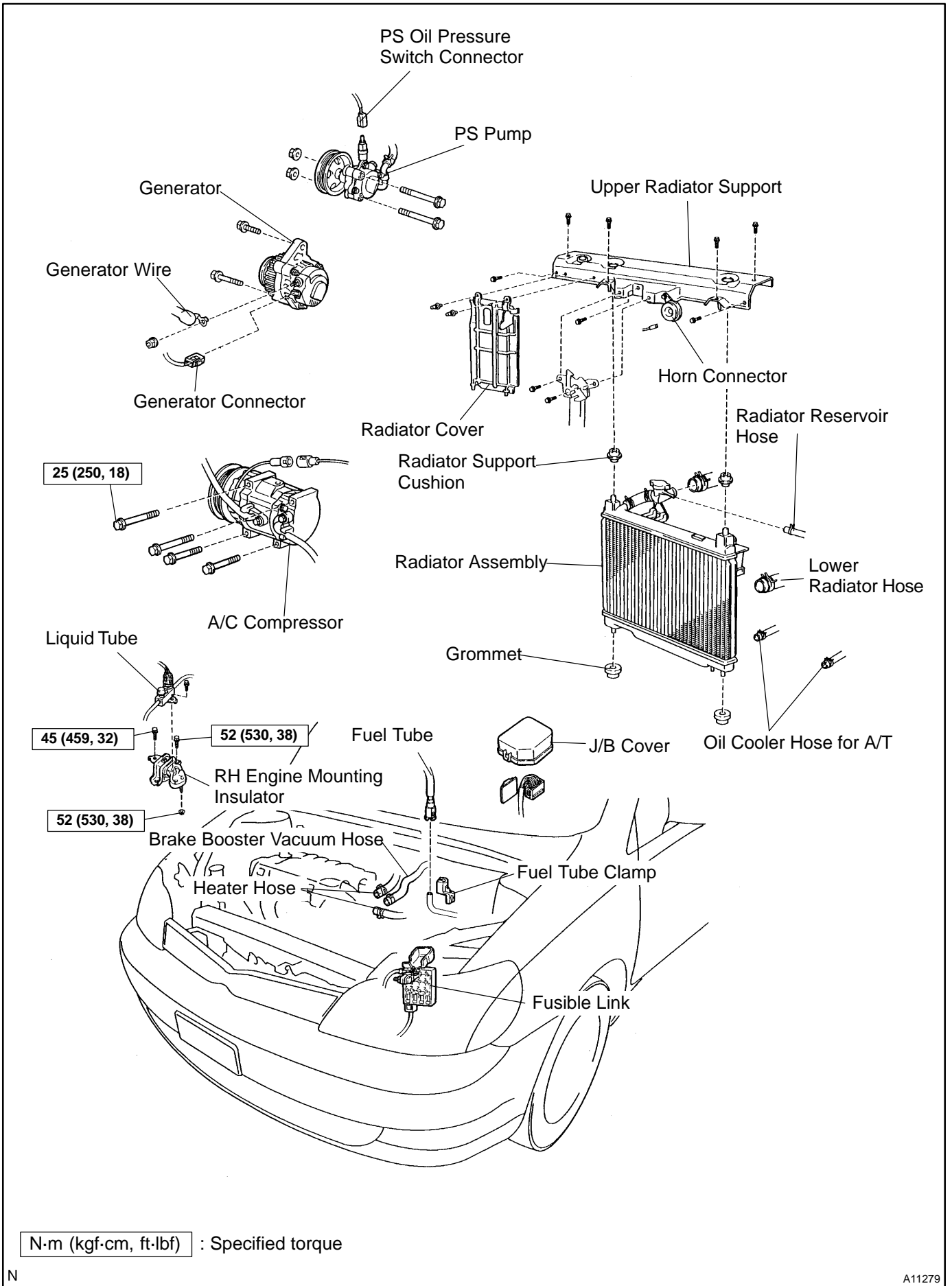


ENGINE UNIT COMPONENTS

EM178-01

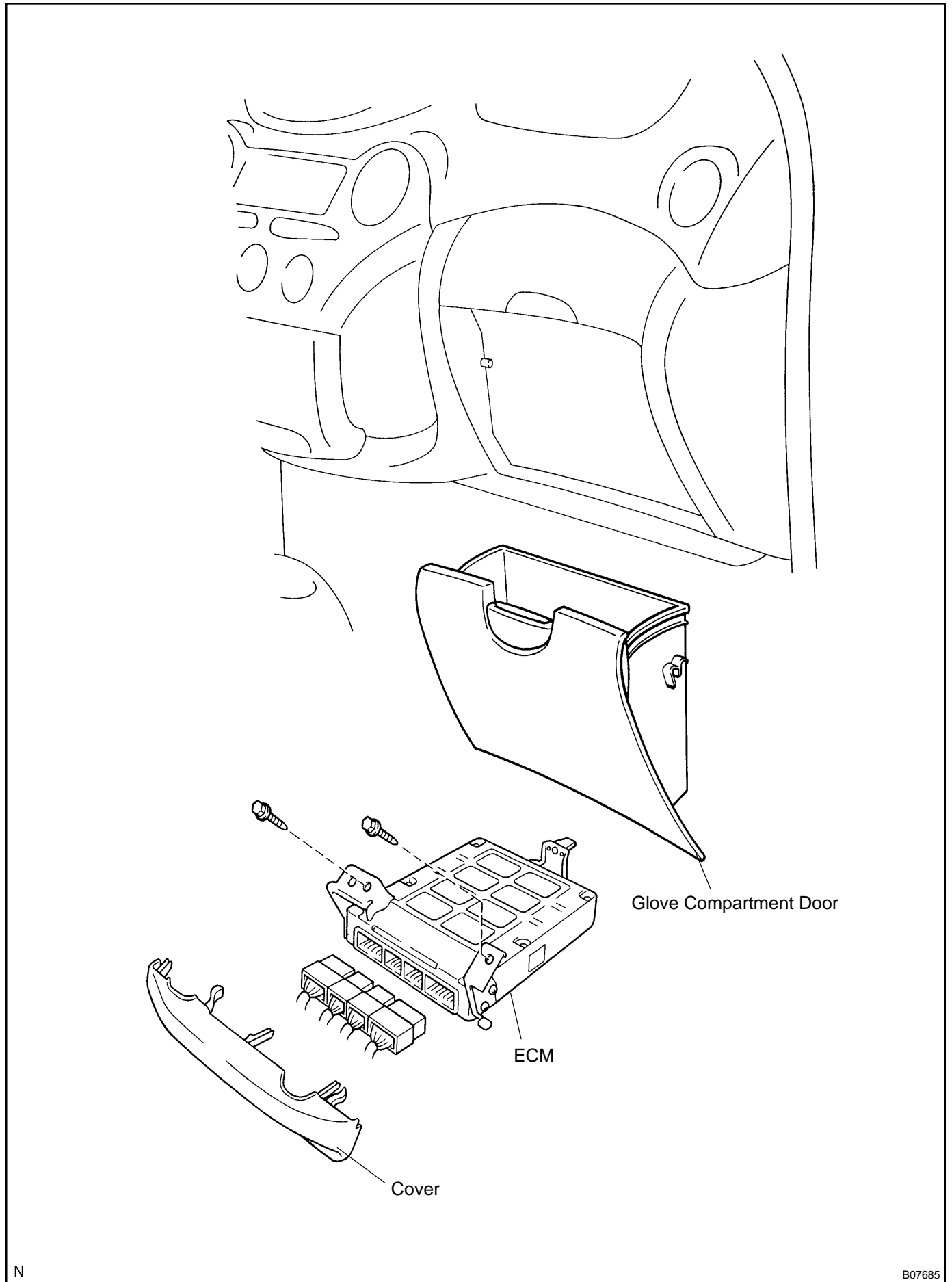


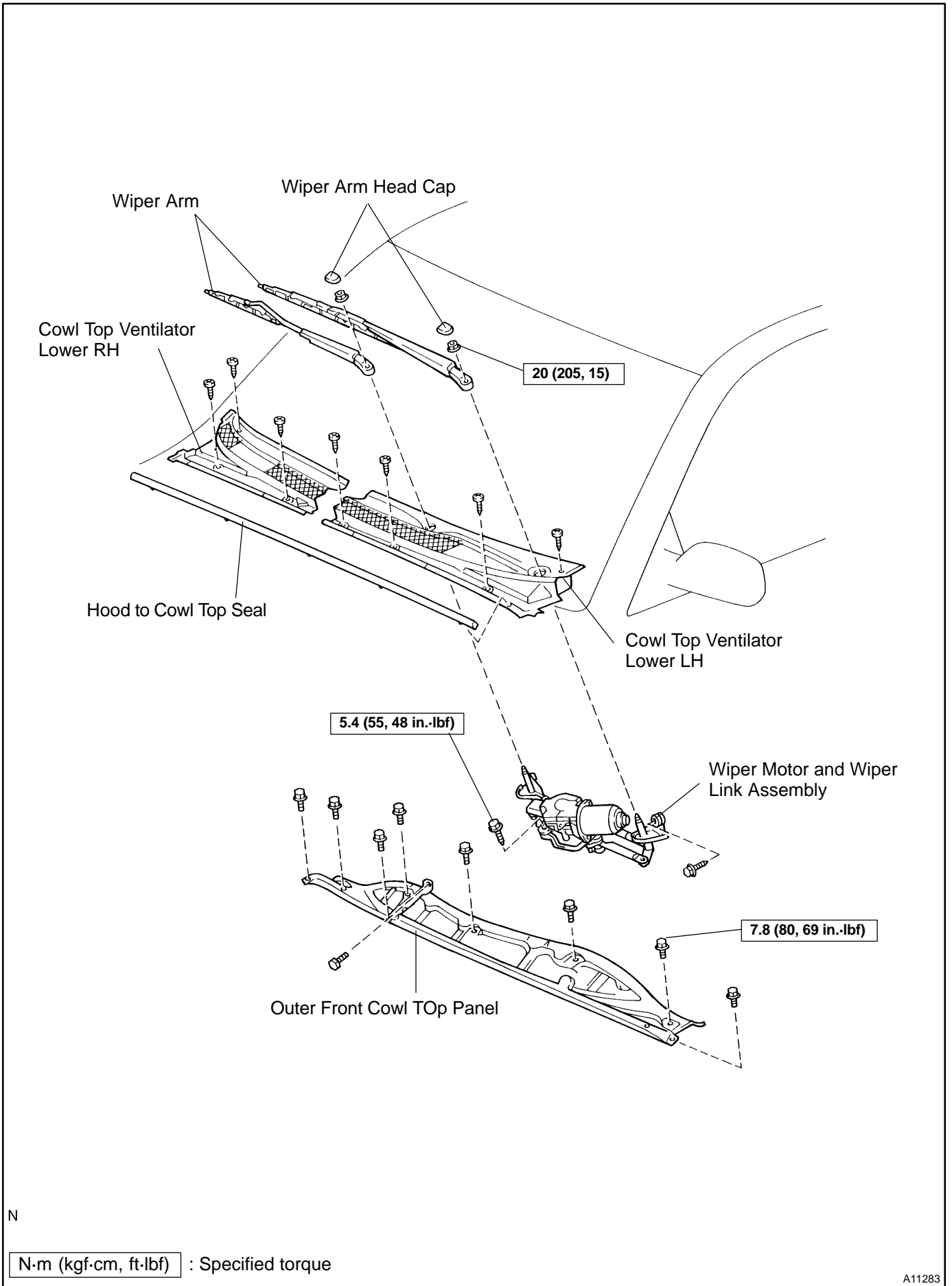


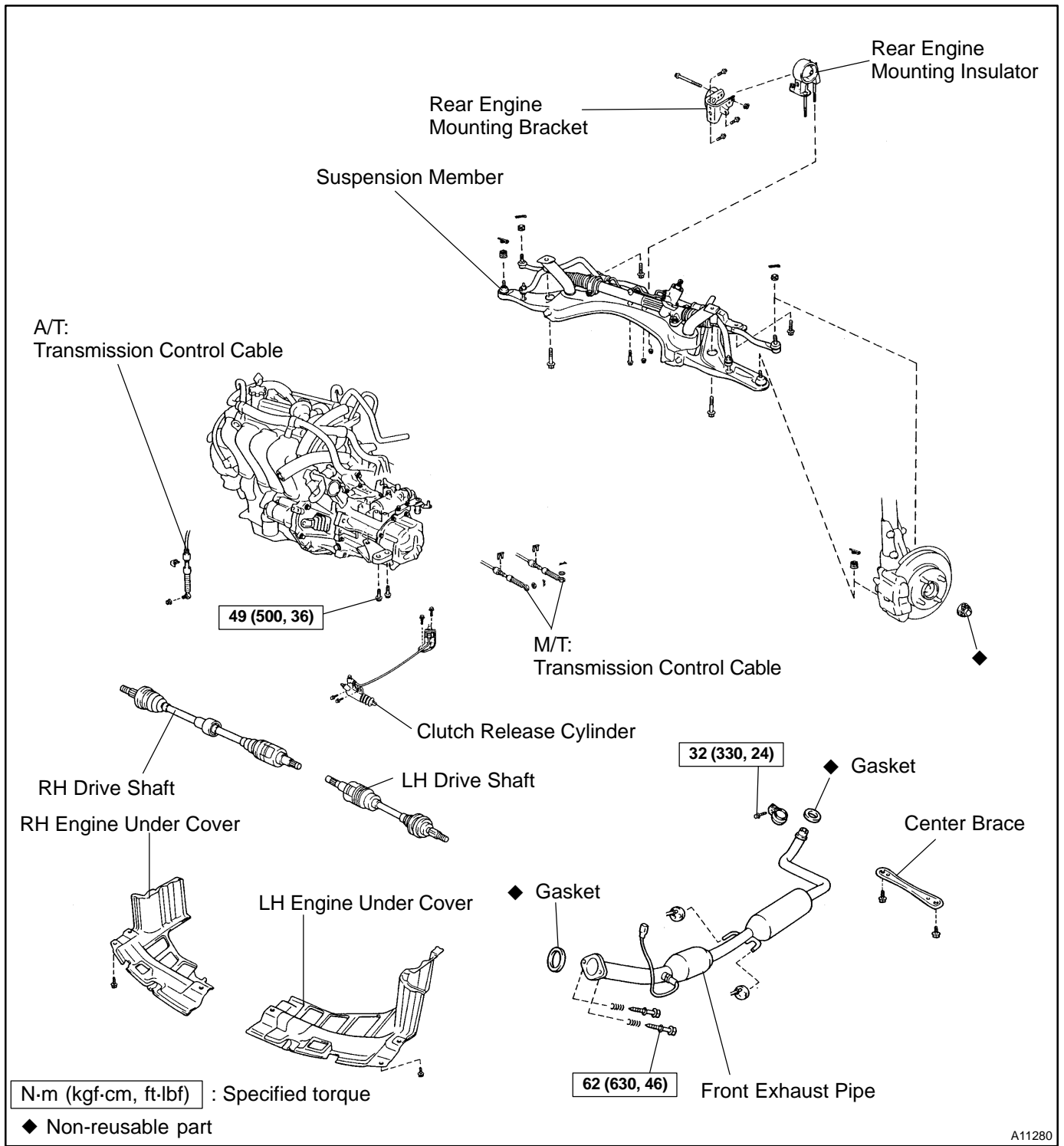
N-m (kgf-cm, ft-lbf) : Specified torque

N

A11279







A11280