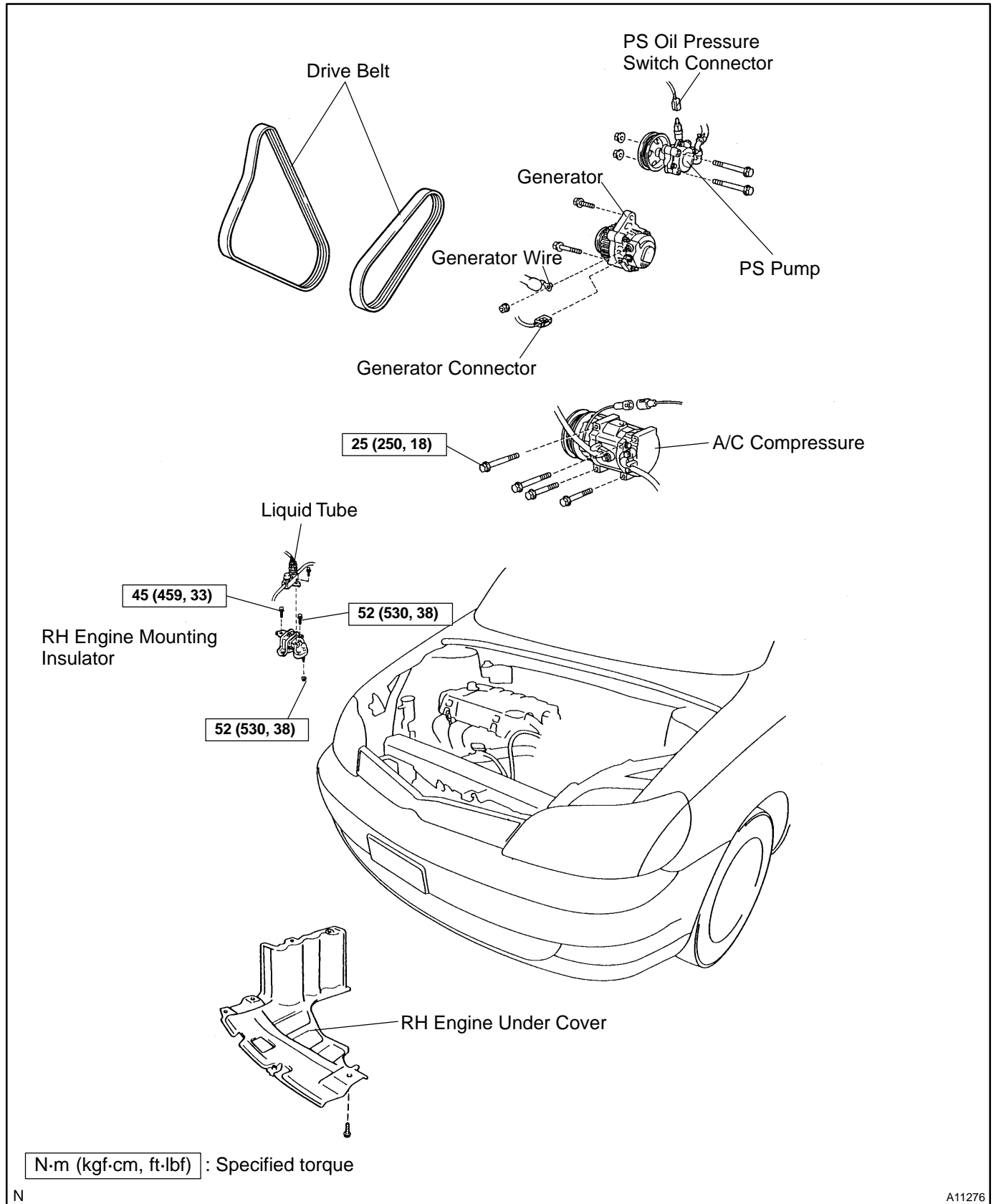
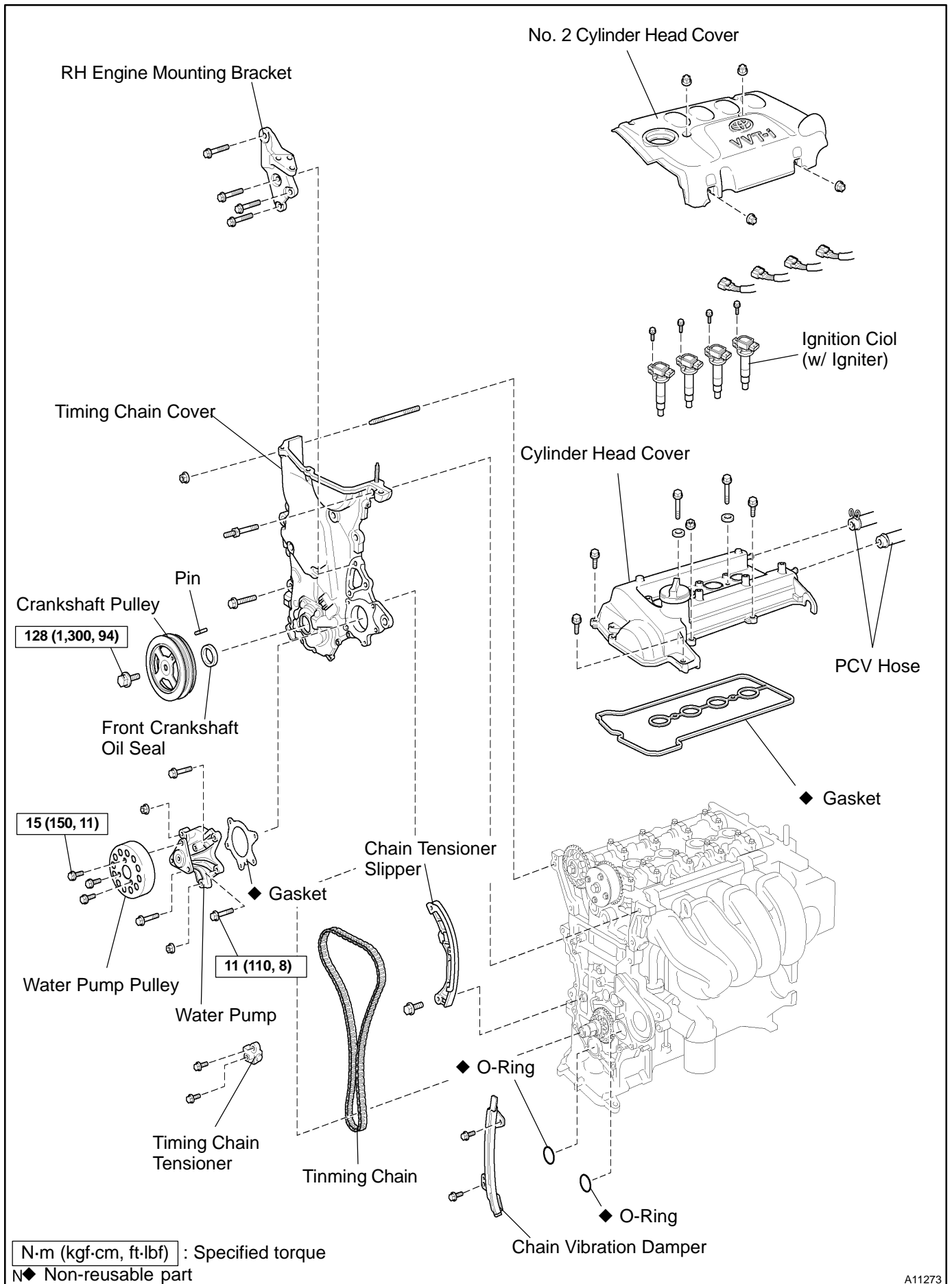


TIMING CHAIN COMPONENTS

EM173-01





A11273