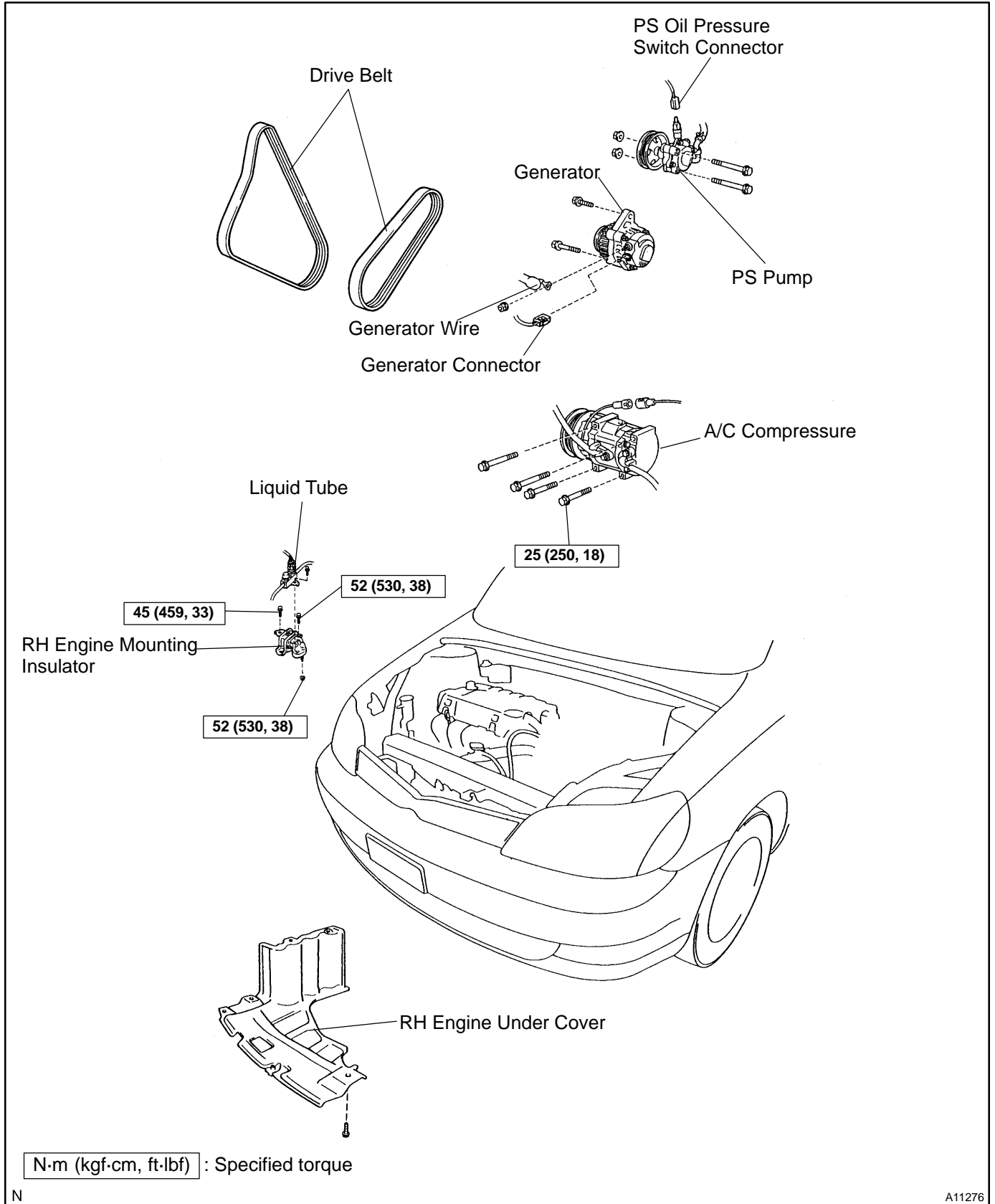
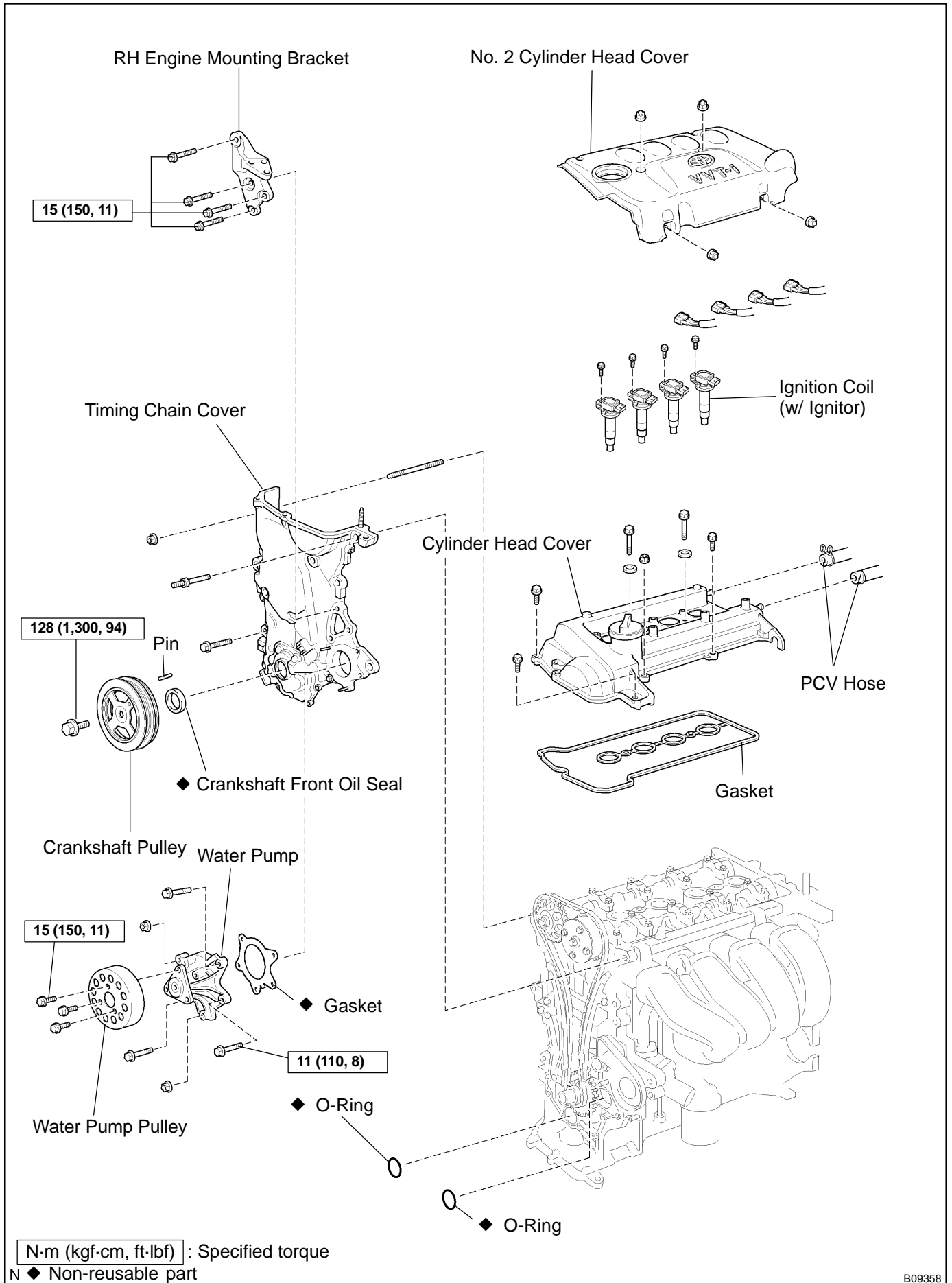


OIL PUMP COMPONENTS

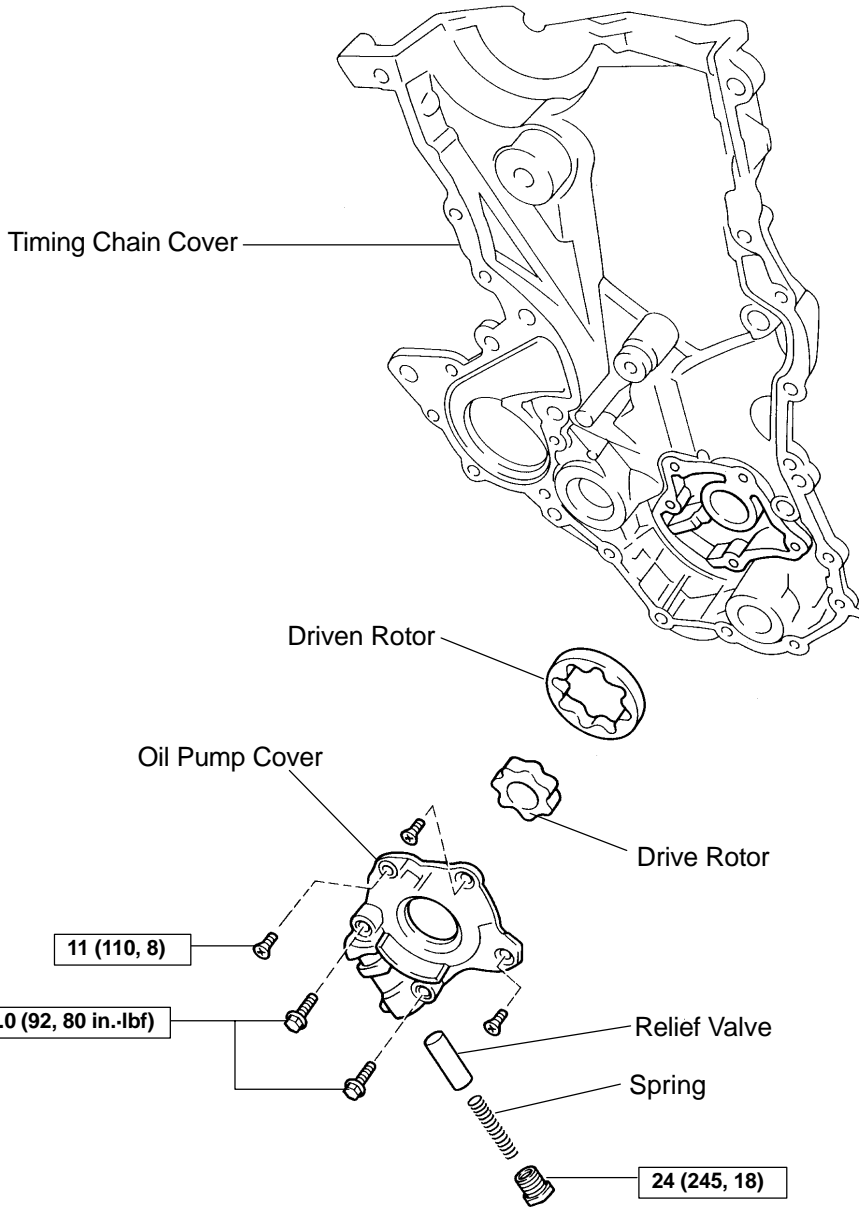
LU02M-03





B09358

LUBRICATION - OIL PUMP



N N·m (kgf·cm, ft·lbf) : Specified torque

B09334