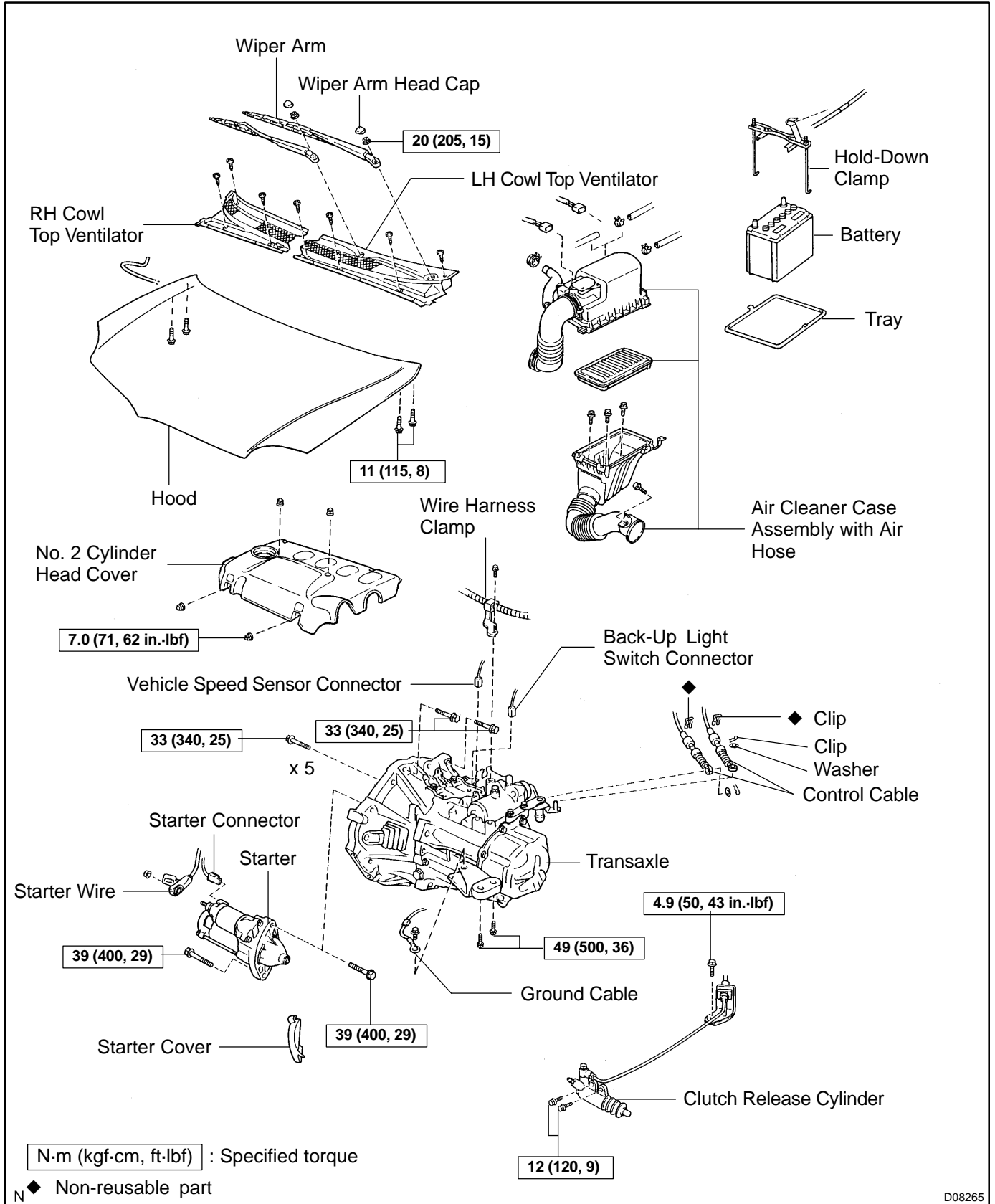
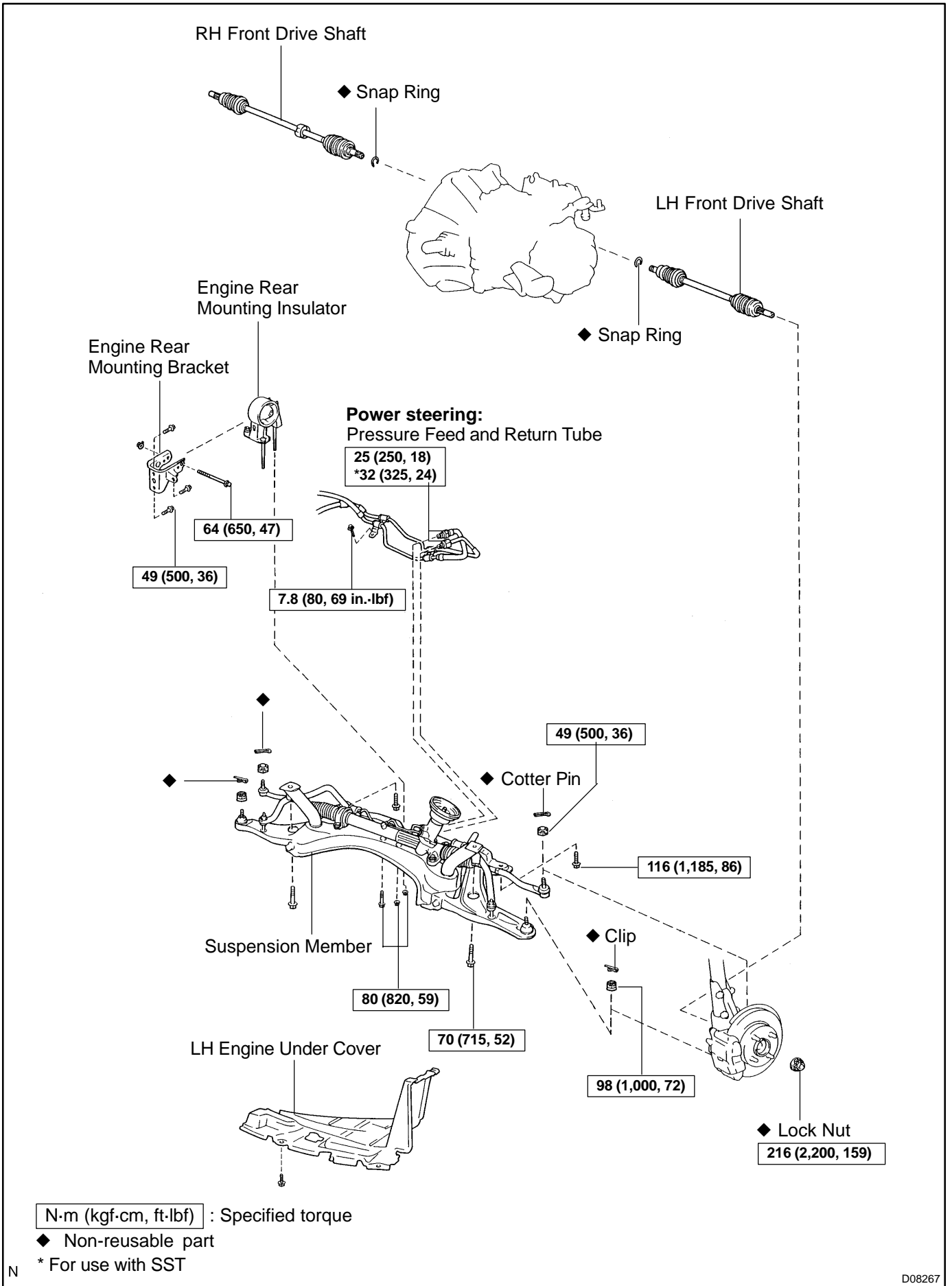


# MANUAL TRANSAXLE UNIT COMPONENTS

MX0A8-02



D08265



N

D08267