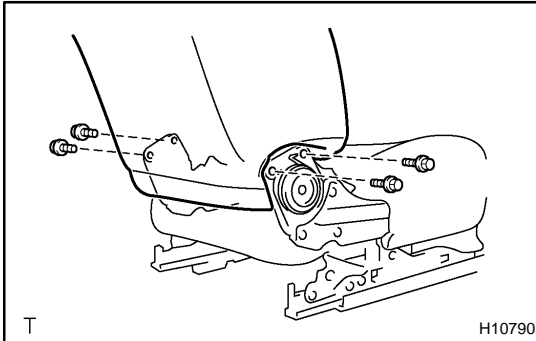


INSTALLATION

1. INSTALL HEADREST SUPPORTS TO SEATBACK ASSEMBLY

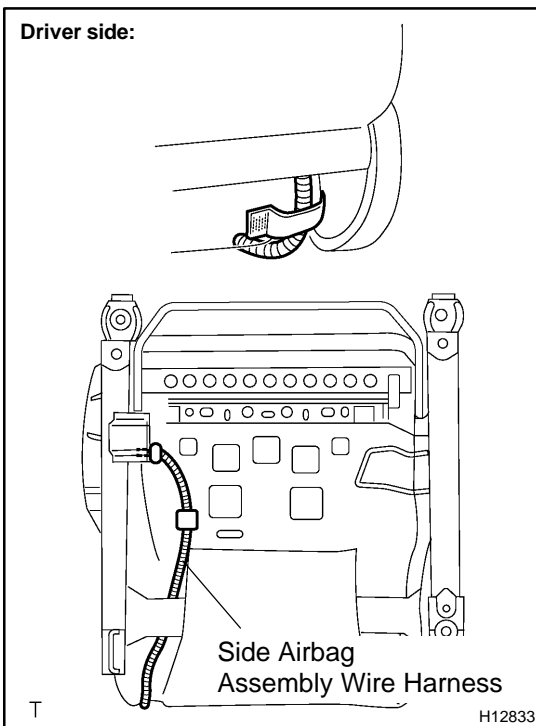


2. INSTALL SEATBACK ASSEMBLY

- (a) Install the seatback assembly with the 4 bolts.

Torque: 43 N·m (440 kgf·cm, 32 ft·lbf)

- (b) Install new hog rings on the lower part of seatback assembly.

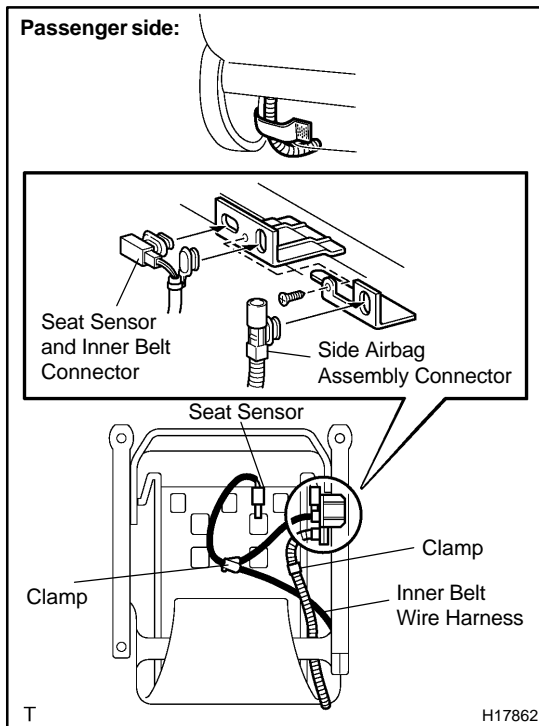


- (c) Driver side:

Connect and clamp the connector and wire harness.

NOTICE:

Be careful not to damage the connector and wire harness.



- (d) Passenger side:
Connect and clamp the connector and wire harness.

NOTICE:

Be careful not to damage the connector and wire harness.

3. INSTALL SEAT CUSHION INNER SHIELD

Install the seat cushion inner shield with the screw and clip.

4. INSTALL FRONT SEAT INNER BELT

- (a) Install the front seat inner belt wire the bolt.

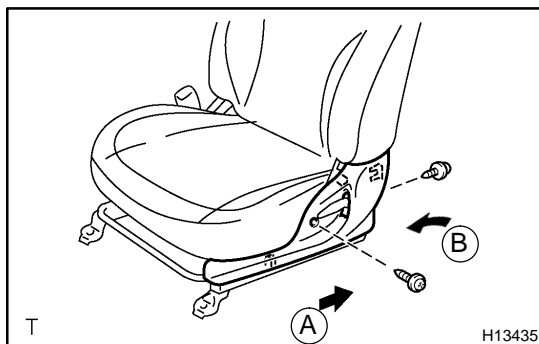
Torque: 41 N·m (420 kgf-cm, 30 ft-lbf)

- (b) Driver side:

Connect the inner belt connector.

- (c) Passenger side:

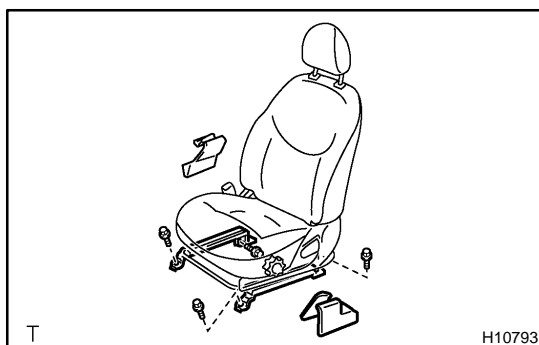
Connect the inner belt connector and seat sensor connector.

**5. INSTALL SEAT CUSHION SHIELD**

Install the seat cushion shield with the 2 screws.

HINT:

Install the seat cushion shield in order A, B as shown in the illustration.

6. INSTALL RECLINING RELEASE HANDLE**7. INSTALL HEADREST****8. INSTALL FRONT SEAT**

- (a) Slide the front seat to the most front position.

NOTICE:

Make sure that seat adjuster locks.

- (b) Without holding the seat track handle, mount the seat to the vehicle.

HINT:

If holding the seat track handle, the adjusted most front positions slip off.

- (c) Connect the connectors.

- (d) Tighten the bolts on the rear side temporarily, from the bolt on the inner side tighten them completely.

Torque: 37 N·m (375 kgf-cm, 27 ft-lbf)

- (e) Slide the seat to the most rear position to install the bolts on the front side.

Torque: 37 N·m (375 kgf-cm, 27 ft-lbf)

- (f) Install the seat track covers.