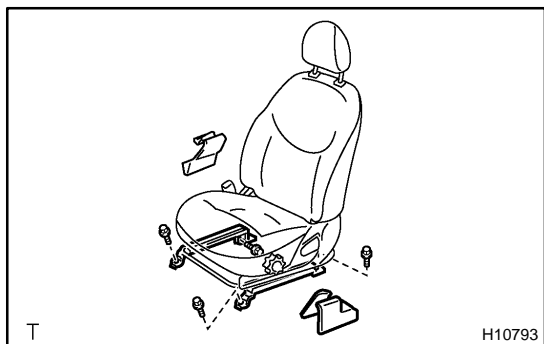


REMOVAL

NOTICE:

- If the wiring connector of the SRS is disconnected and the ignition switch is in ON or ACC position, DTCs will be recorded.
- Never use the airbag parts from another vehicle. When replacing parts, replace them with new parts.



1. REMOVE FRONT SEAT

- (a) Using a screwdriver, remove the seat track covers.

HINT:

Tape the screwdriver tip before use.

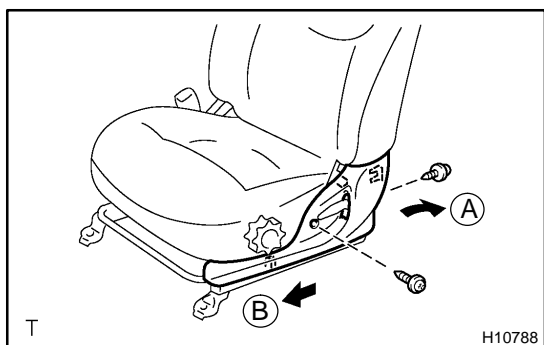
- (b) Remove the 4 bolts.
 (c) Disconnect the connectors.
 (d) Remove the front seat.

NOTICE:

Be careful not to damage the body.

2. REMOVE HEADREST

3. REMOVE RECLINING RELEASE HANDLE



4. REMOVE SEAT CUSHION SHIELD

Remove the 2 screws and seat cushion shield as shown in the illustration.

HINT:

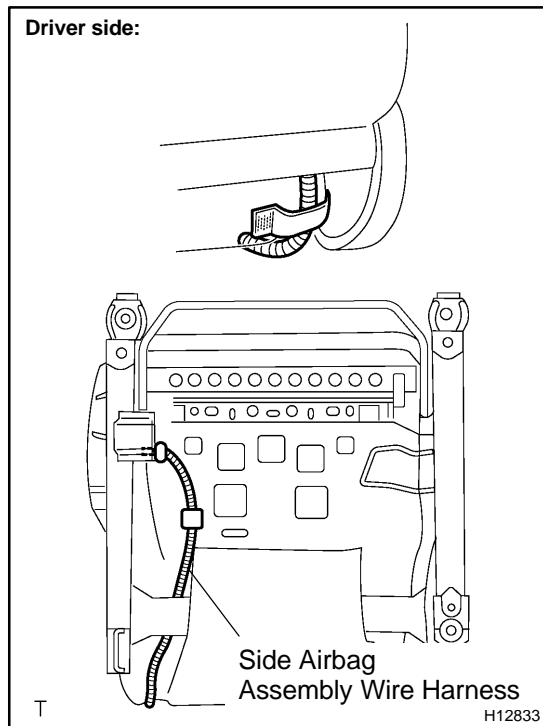
Remove the seat cushion shield in order A, B as shown in the illustration.

5. REMOVE FRONT SEAT INNER BELT

- (a) Remove the bolt and front seat inner belt.
 (b) Driver side:
 Disconnect the inner belt connector.
 (c) Passenger side:
 Disconnect the inner belt connector and seat sensor connector.

6. REMOVE SEAT CUSHION INNER SHIELD

Remove the clip, screw and seat cushion inner shield.



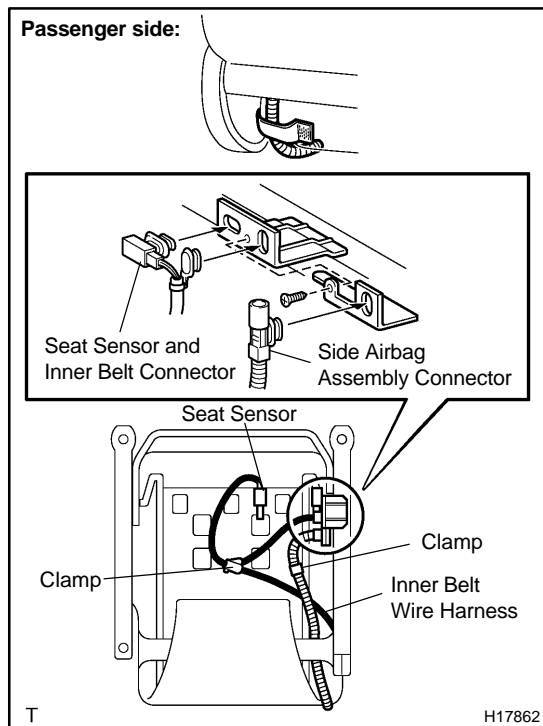
7. REMOVE SEATBACK ASSEMBLY

- (a) Disconnect and disengage the connector and wire harness.

NOTICE:

Be careful not to damage the connector and wire harness.

- (b) Remove the hog rings on the lower part of seatback assembly.



- (c) Remove the 4 bolts and seatback assembly.

8. REMOVE HEADREST SUPPORTS

