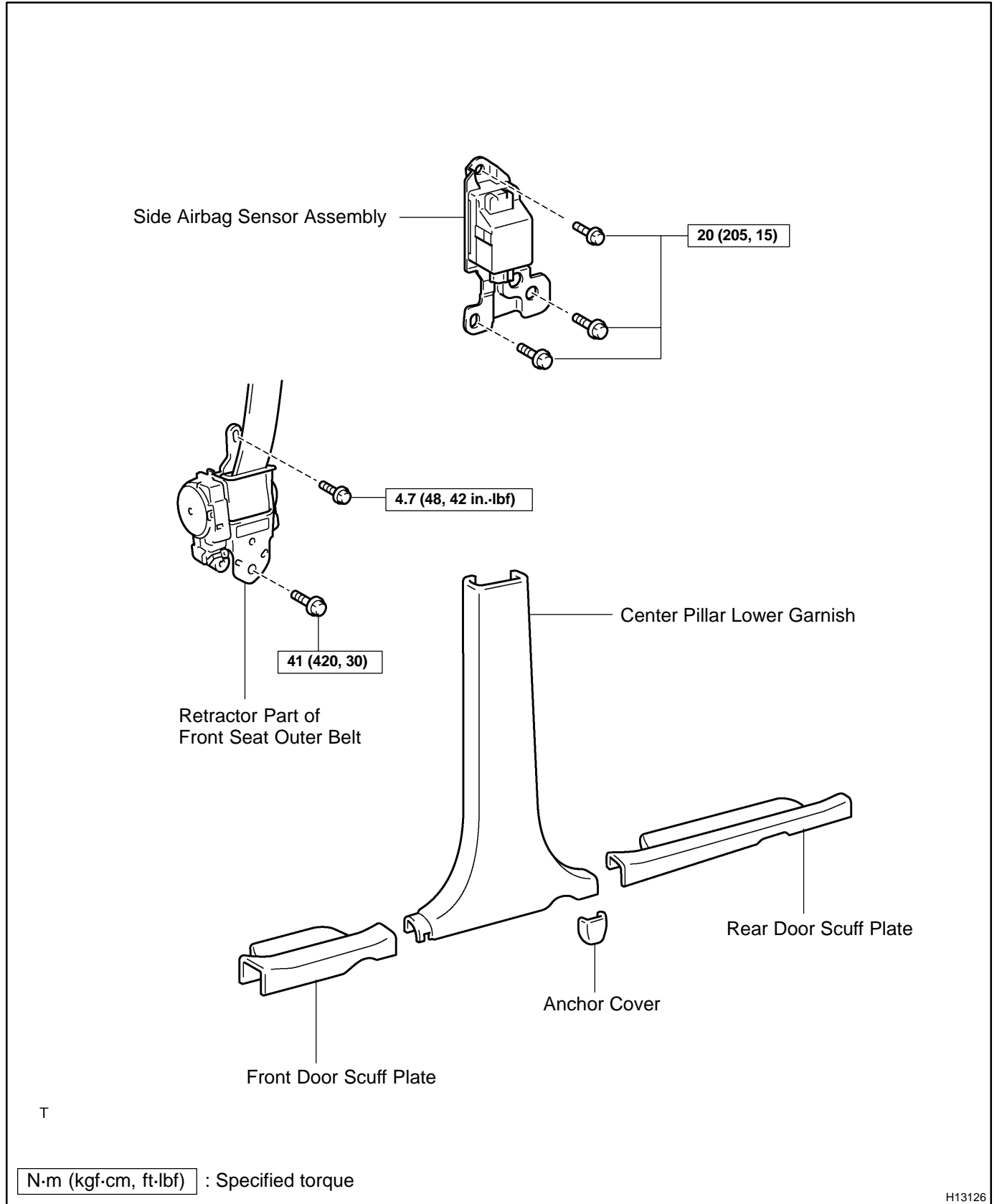


SIDE AIRBAG SENSOR ASSEMBLY (4-Door) COMPONENTS

RS01Q-16



T

N·m (kgf·cm, ft·lbf) : Specified torque

H13126