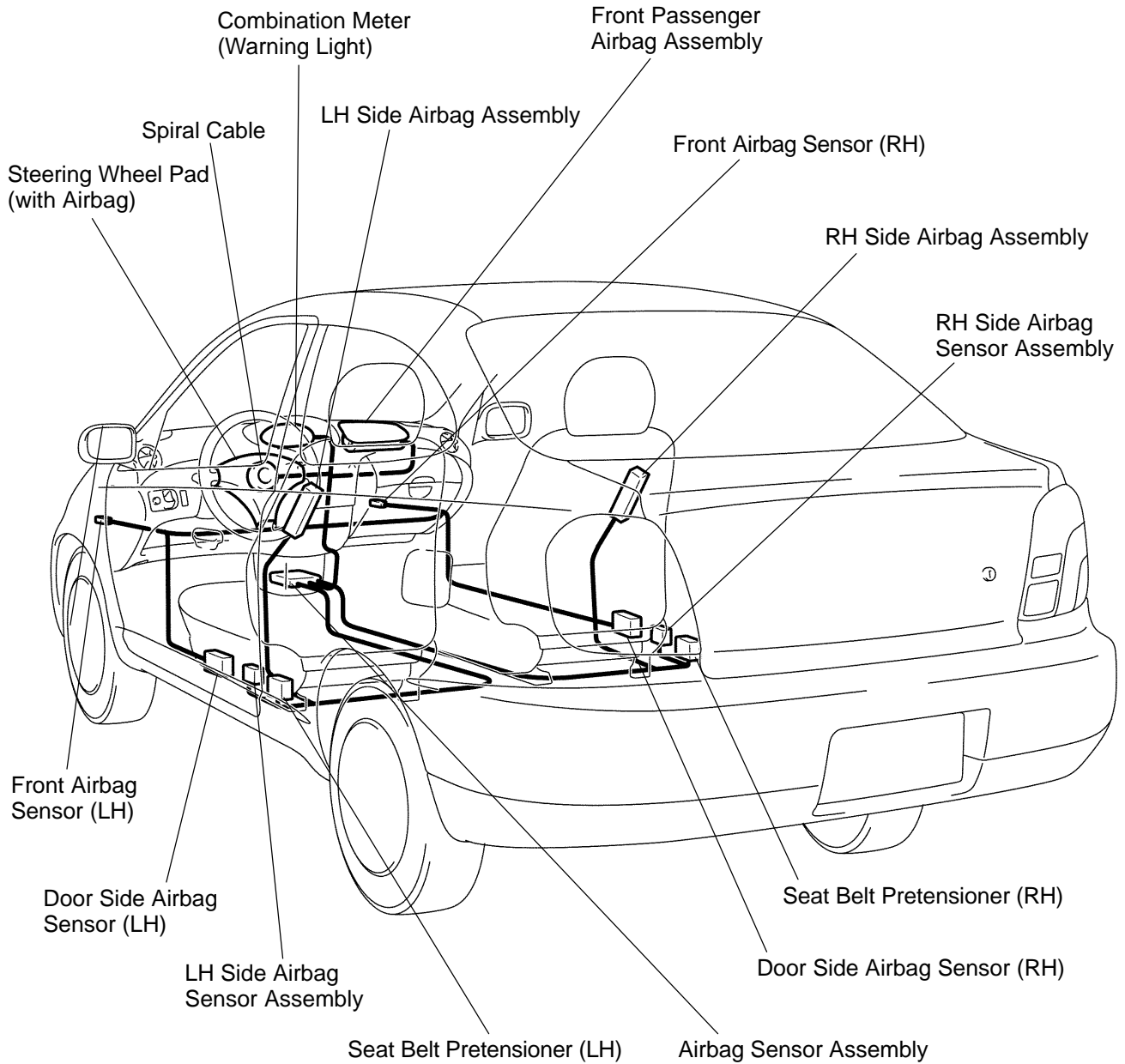


# WIRE HARNESS AND CONNECTOR LOCATION

RS0ST-01

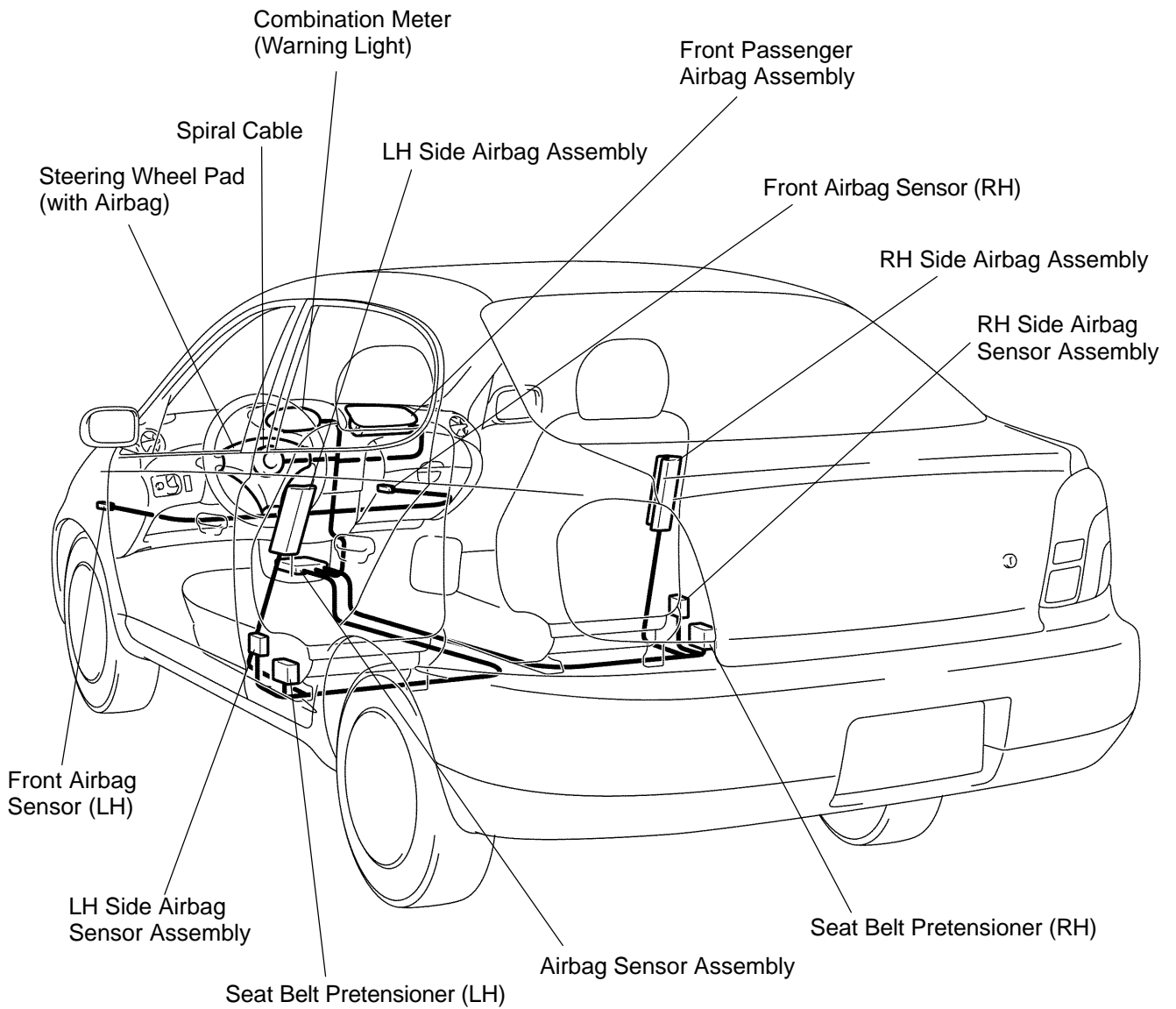
2-Door:



P

H17209

4-Door:



P

H17863