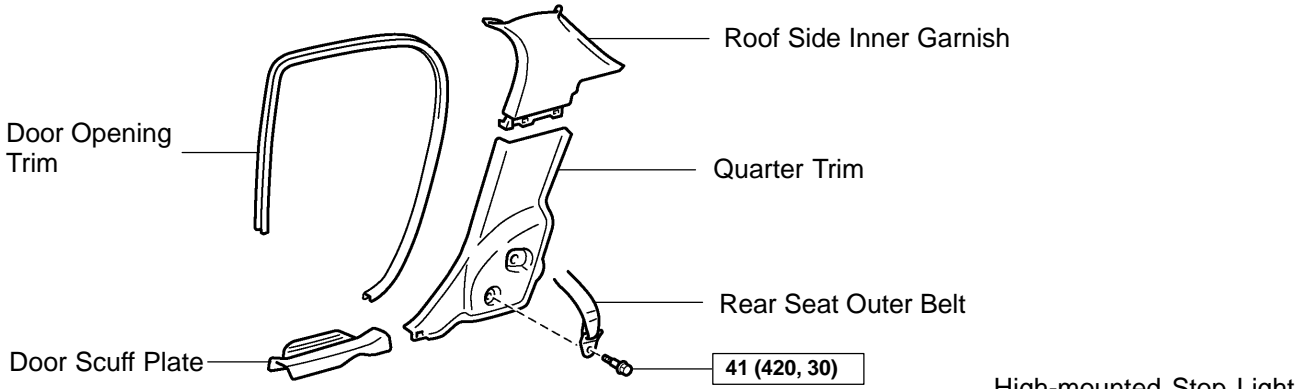


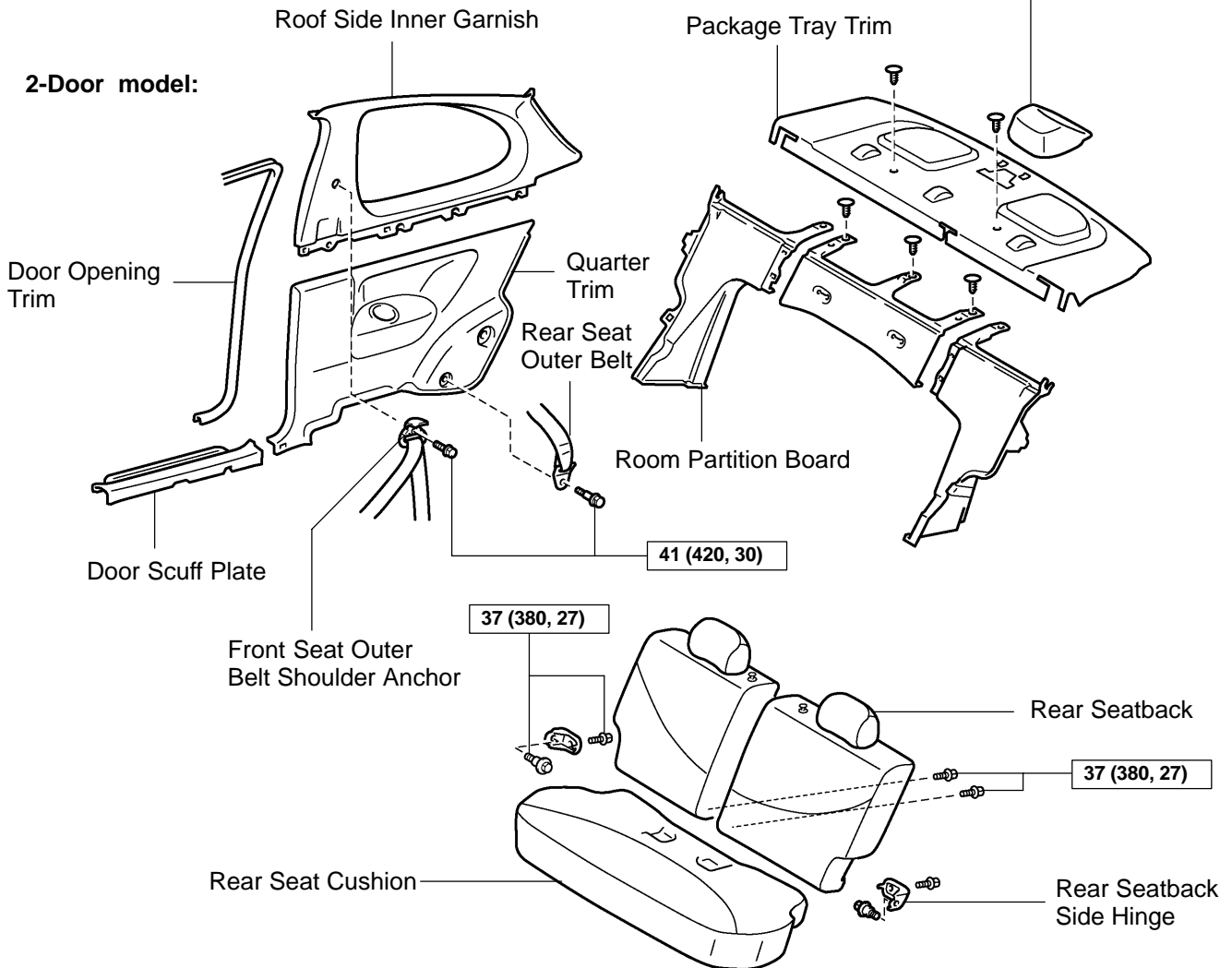
# COIL SPRING AND REAR SHOCK ABSORBER COMPONENTS

SA1PN-02

### 4-Door model:



### 2-Door model:



N·m (kgf·cm, ft·lbf) : Specified torque

T

F08687

