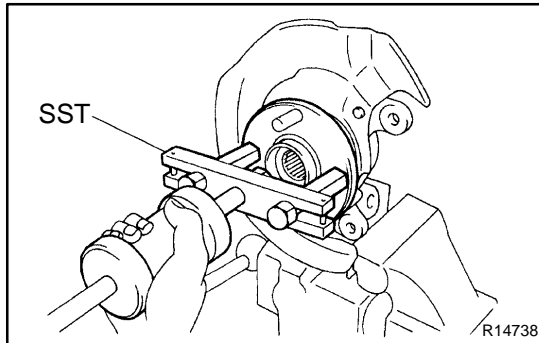


DISASSEMBLY

1. REMOVE SNAP RING

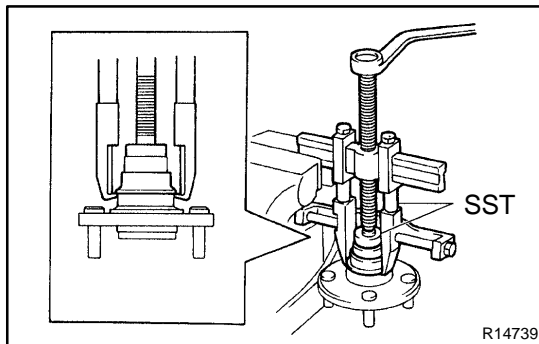
Using snap ring pliers, remove the snap ring.



2. REMOVE AXLE HUB

(a) Using SST, remove the axle hub.

SST 09520-00031 (09520-00040, 09521-00010, 09521-00020)



(b) Using SST, remove the inner race (outside) from the axle hub.

SST 09950-4001 1 (09951-04020, 09952-04010, 09953-04020, 09954-04010, 09955-04011, 09957-04010, 09958-04011), 09950-60010 (09951-00370)

3. REMOVE DUST COVER

Using a torx wrench (T30), remove the 3 bolts and dust cover.

4. REMOVE BEARING FROM STEERING KNUCKLE

(a) Place the inner race (outside) on the bearing.

(b) Using SST and a press, remove the bearing from the steering knuckle.

SST 09527-1701 1, 09950-60010 (09951-00600), 09950-70010 (09951-07150)

