

REASSEMBLY

1. INSTALL BEARING

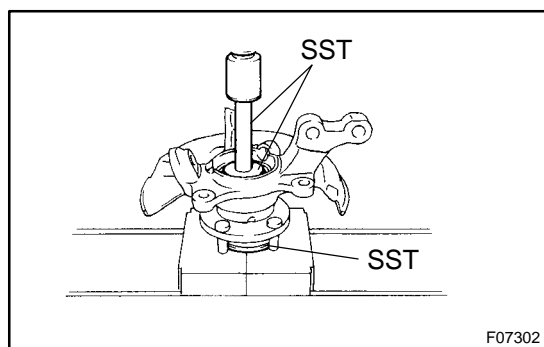
Using SST and a press, install a new bearing to the steering knuckle.

SST 09950-60020 (09951-00680),
09950-70010 (09951-07150)

2. INSTALL DUST COVER

Using a torx wrench (T30), install the dust cover with the 3 bolts.

Torque: 8.3 N·m (85 kgf·cm, 74 in.-lbf)



3. INSTALL AXLE HUB

Using SST and a press, install the axle hub.

SST 09608-32010, 09950-60020 (09951-00680),
09950-70010 (09951-07150)

NOTICE:

Be careful not to damage the bearing.

4. INSTALL SNAP RING

Using snap ring pliers, install a new snap ring.