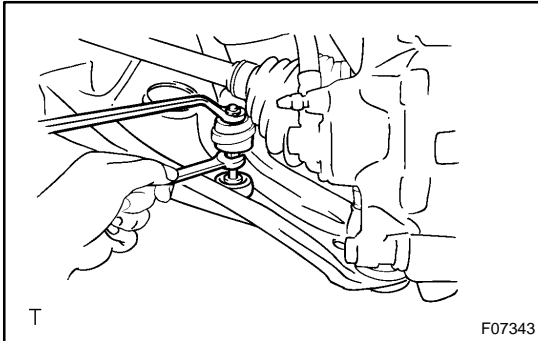


REMOVAL

1. REMOVE FRONT WHEEL

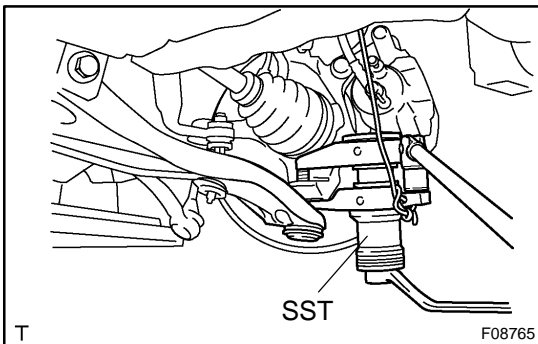


2. REMOVE STABILIZER BAR LINK

While holding the stabilizer bar link, remove the 2 nuts, 5 retainers, 4 cushions and the stabilizer bar link.

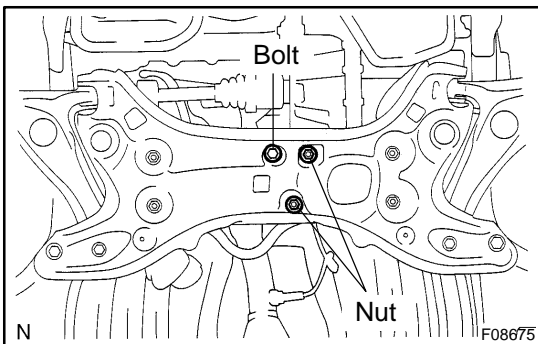
3. DISCONNECT LOWER SUSPENSION ARM FROM STEERING KNUCKLE

(a) Remove the clip and nut.



(b) Using SST, disconnect the lower suspension arm from the steering knuckle.

SST 09628-0001 1 (09628-00030, 09628-00040, 09628-00050)



4. RH arm:

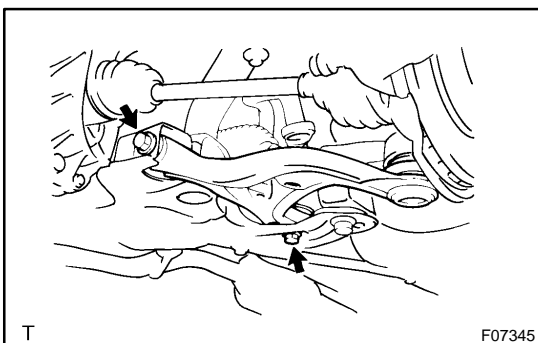
SLIGHTLY JACK UP ENGINE

(a) Remove the bolt and 2 nuts, and disconnect the engine rear mount.

(b) Using a transmission jack and wooden block, slightly jack up the engine.

NOTICE:

Do not jack up the engine at the oil pan.



5. REMOVE LOWER SUSPENSION ARM

Remove the 2 bolts, nut and lower suspension arm.

NOTICE:

Do not turn the nut.