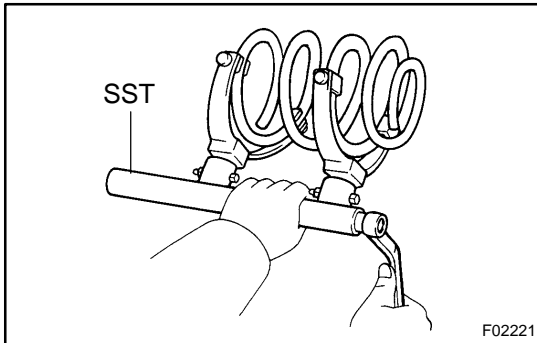


REASSEMBLY

1. INSTALL SPRING BUMPER TO PISTON ROD



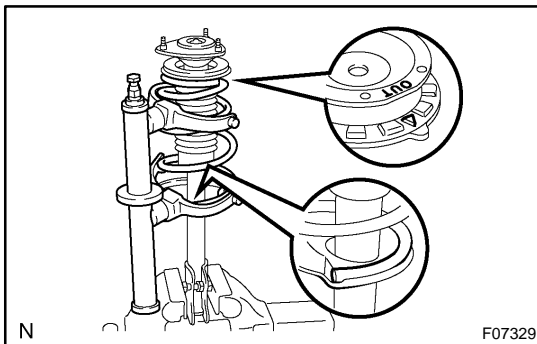
2. INSTALL COIL SPRING

- (a) Using SST, compress the coil spring.

SST 09727-30021 (09727-00010, 09727-00021, 09727-00031)

NOTICE:

Do not use an impact wrench. It will damage the SST.

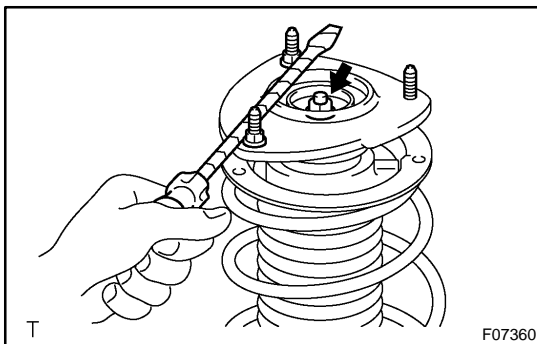


- (b) Install the coil spring to the shock absorber.

HINT:

Fit the lower end of the coil spring into the gap of the spring lower seat.

- (c) Install the upper insulator with the "IN" mark facing to the outside of the vehicle.
 (d) Install the spring upper seat with the "OUT" mark facing to the outside of the vehicle.
 (e) Install the dust seal and suspension support.



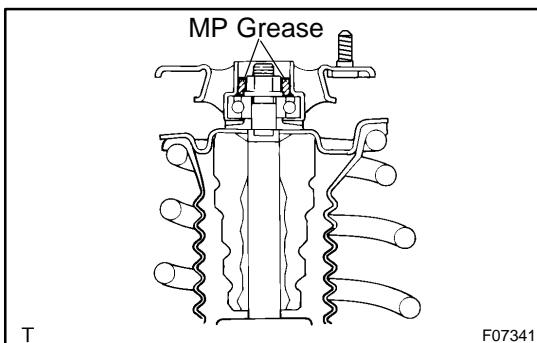
- (f) Using 2 nuts and a screwdriver or an equivalent to hold, install a new center nut.

Torque: 33 N·m (340 kgf·cm, 24 ft·lbf)

NOTICE:

Do not damage the suspension support stud bolts.

- (g) Remove the SST.
 SST 09727-30021 (09727-00010, 09727-00021, 09727-00031)



- (h) Apply MP grease into the suspension support.
 (i) Install the cap.