

## REPLACEMENT

### 1. REMOVE BUSHING

- (a) Place matchmarks on the 2 notches of the bushing and axle beam.
- (b) Using a chisel and hammer, bend the 2 portions of the bushing rib.

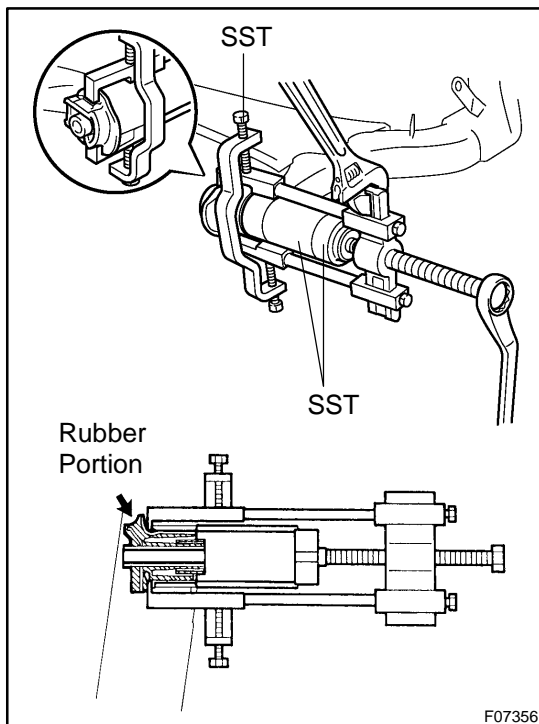
#### HINT:

Bend the bushing rib until the claw of SST can be hung.

- (c) Using SST, remove the bushing from the axle beam.  
 SST 09309-37010, 09950-40011 (09951-04010,  
 09952-04010, 09953-04010, 09954-04020,  
 09955-04051, 09957-04010, 09958-04011)

#### NOTICE:

If the axle beam has been scratched, apply the paint.



### 2. INSTALL BUSHING

- (a) Align the matchmarks on the axle beam with the 2 notches of a new bushing and temporarily install the bushing to the axle beam.
- (b) Using SST, install the bushing to the axle beam.  
 SST 09710-14013 (09710-00021), 09950-40011  
 (09951-04010, 09952-04010, 09953-04030,  
 09954-04020, 09955-04031, 09957-04010,  
 09958-04011), 09950-60010 (09951-00560)

#### NOTICE:

- Hang the claw of SST to the bushing deeply and firmly.
- Do not scratch the rubber portion of the bushing.
- Do not deform the bushing rib.