

REASSEMBLY

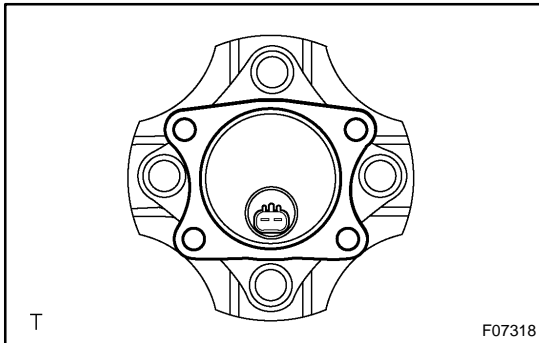
w/ ABS:

INSTALL NEW ABS SPEED SENSOR

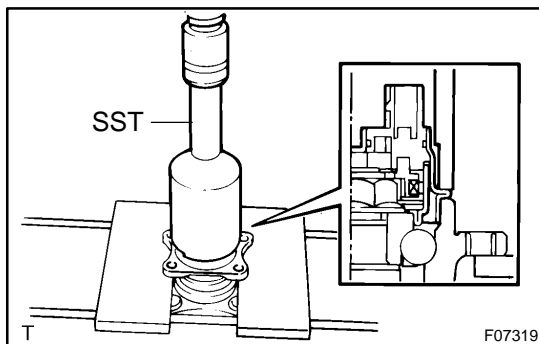
- (a) Clean the contacting surface of the axle hub and a new ABS speed sensor.

NOTICE:

Do not allow any foreign matter sticking to the sensor rotor.



- (b) Place the ABS speed sensor on the axle hub so that the connector is set at the bottom under the on-vehicle condition.



- (c) Using SST and a press, install a new ABS speed sensor to the axle hub.

SST 09214-7601 1

NOTICE:

- **Do not tap the speed sensor with a hammer directly.**
- **Check that there should be no foreign matter on the speed sensor detection portion.**
- **Press in the ABS speed sensor straightly and slowly.**