

TIRE AND WHEEL INSPECTION

SA0CC-14

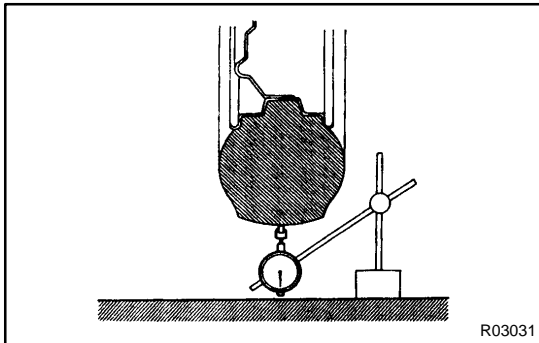
1. INSPECT TIRE

(a) Check the tires for wear and proper inflation pressure.

Cold tire inflation pressure:

(Tire size: P175/65R14 81S)

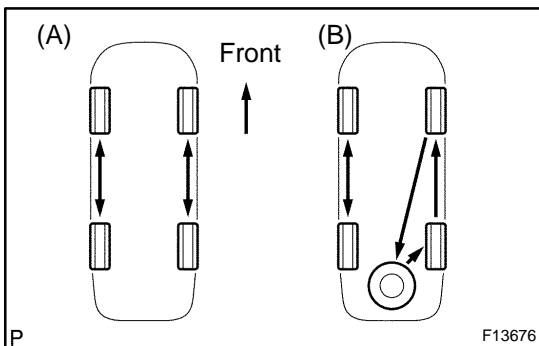
Front	Rear
220 kPa (2.2 kgf/cm ² , 32 psi)	220 kPa (2.2 kgf/cm ² , 32 psi)



R03031

(b) Using a dial indicator, check the tire runout.

Tire runout: 1.0 mm (0.039 in.) or less



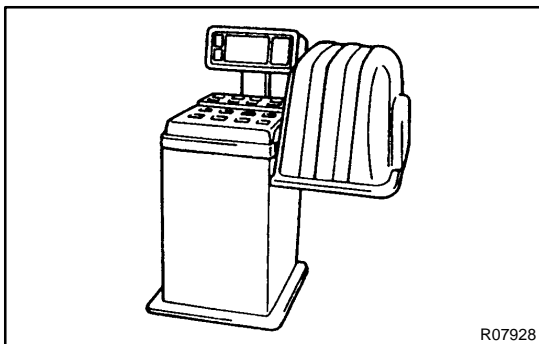
P

F13676

2. ROTATING TIRES

HINT:

- Rotate tires as shown in the illustration.
- Rotate as shown in (B) if the spare tire is included in the rotation.



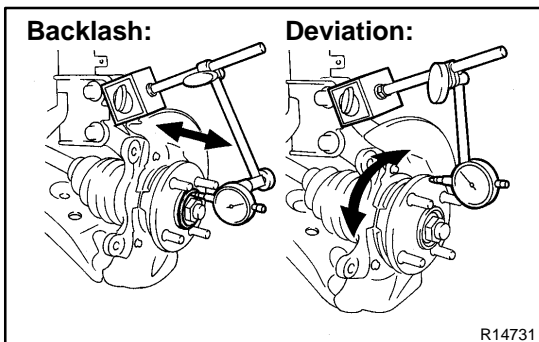
R07928

3. INSPECT WHEEL BALANCE

(a) Check and adjust the Off-the-car balance.

(b) If necessary, check and adjust the On-the-car balance.

Imbalance after adjustment: 8.0 g (0.018 lb) or less



R14731

4. CHECK WHEEL BEARING LOOSENESS

(a) Using a dial indicator, check the backlash near the center of the axle hub.

Maximum: 0.05 mm (0.0020 in.)

If the backlash exceeds the maximum, replace the bearing.

(b) Using a dial indicator, check the deviation at the surface of the axle hub outside the hub bolt.

Maximum: 0.05 mm (0.0020 in.)

If the deviation exceeds the maximum, replace the axle hub.

5. **CHECK FRONT SUSPENSION FOR LOOSENESS**
6. **CHECK STEERING LINKAGE FOR LOOSENESS**
7. **CHECK BALL JOINT FOR LOOSENESS**
8. **CHECK SHOCK ABSORBER WORKS PROPERLY**
 - Check if oil leaks
 - Check mounting bushings for wear
 - Bounce front and rear of the vehicle