

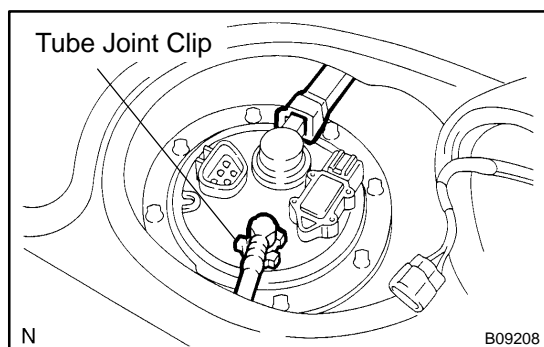
INSTALLATION

1. INSTALL FUEL PUMP ASSEMBLY

- (a) Install the new gasket to the fuel pump assembly.
- (b) Install the fuel pump assembly to the fuel tank.

NOTICE:

- Do not damage the fuel pump filter.
 - Be careful that the arm of the sender gauge should not bent.
- (c) Install the 8 bolts and fuel tank vent tube set plate from the fuel tank.
Torque: 4.0 N·m (40 kgf·cm, 35 in.-lbf)



2. CONNECT FUEL TUBE

- (a) Clean up around the fuel tube.
- (b) Connect the fuel tube and emission tube to the fuel pump assembly.
- (c) Connect the tube joint clip to the fuel suction plate.

3. CONNECT FUEL PUMP AND SENDER GAUGE CONNECTOR AND VAPOR PRESSURE SENSOR CONNECTOR

HINT:

Start the engine, check for fuel leakage.

4. INSTALL FLOOR SERVICE HOLE COVER

- (a) Install the service hole cover.
- (b) Install the floor carpet.

5. INSTALL REAR SEAT CUSHION