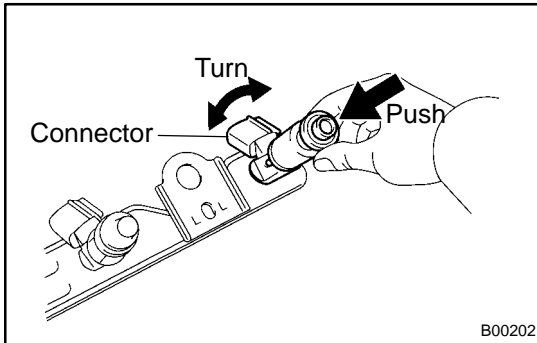


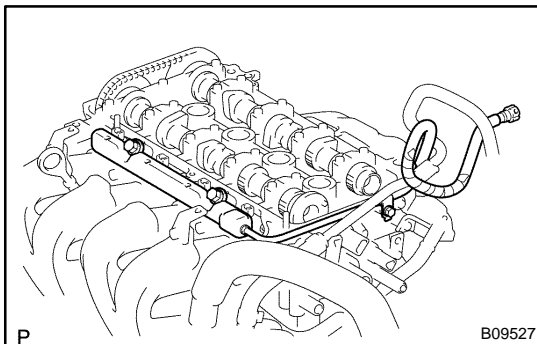
INSTALLATION

1. INSTALL INJECTORS AND DELIVERY PIPES

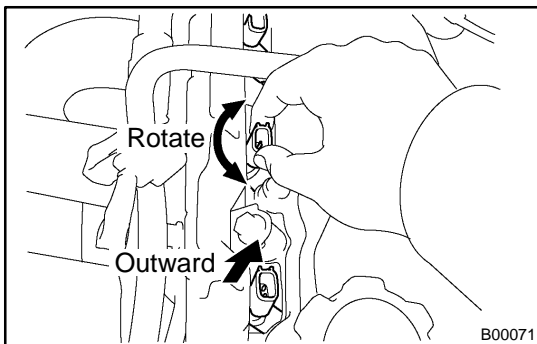
- (a) Install a new grommet to each injector.
- (b) Apply a light coat of spindle oil or gasoline to new O-ring and install them to each injector.



- (c) Apply a light coat of spindle oil or gasoline on the place where a delivery pipe touches on O-ring.
- (d) While turning the injector clockwise and counterclockwise, push it to the delivery pipes. Install the 4 injectors.
- (e) Position the injector connector outward.
- (f) Place the 2 spacers in position on the cylinder head.



- (g) Apply a light coat of spindle oil or gasoline on the place where a cylinder head touches an grommet of the injector.
- (h) Place the delivery pipe and fuel pipe together with the 4 injectors in position on the cylinder head.
- (i) Temporarily install the 2 bolts holding the delivery pipe to the cylinder head.
- (j) Temporarily install the bolt holding the fuel pipe to the cylinder head.

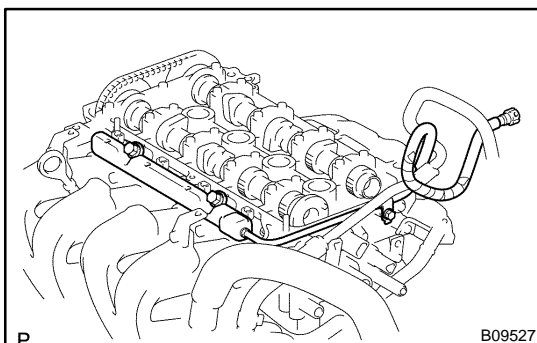


- (k) Check that the injectors rotate smoothly.

HINT:

If injectors do not rotate smoothly, the probable cause is incorrect installation of O-ring. Replace the O-ring.

- (l) Position the injector connector outward.

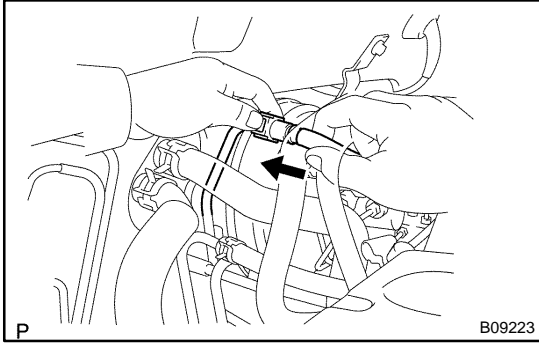


- (m) Tighten the 2 bolts holding the delivery pipe to the cylinder head.

Torque: 19 N·m (190 kgf·cm, 14 ft·lbf)

- (n) Tighten the bolt holding the fuel pipe to the cylinder head.

Torque: 9.0 N·m (92 kgf·cm, 80 in.-lbf)

**2. CONNECT FUEL TUBE**

- (a) Connect the fuel tube (fuel tube connector) to the fuel pipe.

CAUTION:

Perform connecting operations of the connector (quick type) after observing the precautions.

- (b) Install the fuel pipe clamp.

3. INSTALL WIRE HARNESS PROTECTOR COVER

- (a) Install the wire harness protector cover with bolt and 2 nuts.

- (b) Connect the PCV hose to cylinder head cover.

4. CONNECT HIGH-TENSION CORDS

Connect high-tension cords to ignition coils.