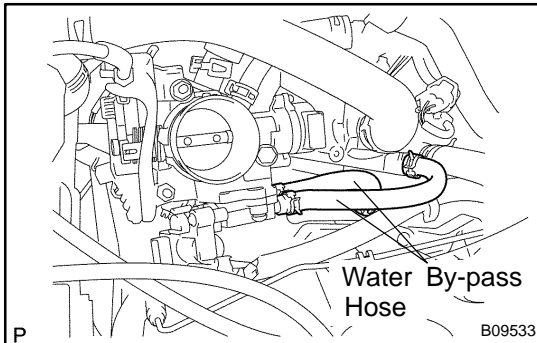


## INSTALLATION

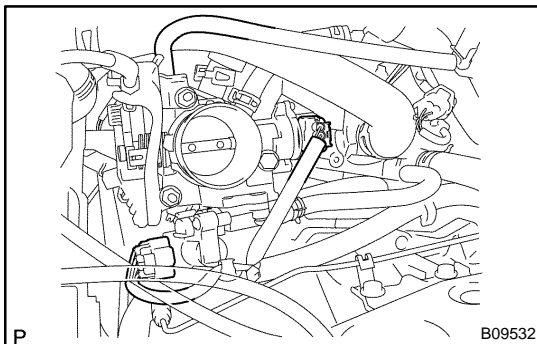
### 1. INSTALL THROTTLE BODY

- (a) Install the throttle body and accelerator cable bracket with the bolt and 2 nuts.

**Torque: 30 N·m (305 kgf-cm, 22 ft-lbf)**



- (b) Connect the 2 water bypass hoses to the throttle body.



- (c) Connect the IAC valve connector.  
(d) Connect the throttle position sensor connector.  
(e) Connect the PCV hose to throttle body.
- 2. INSTALL AIR CLEANER HOSE AND CAP**  
**3. FILL RADIATOR WITH ENGINE COOLANT**