

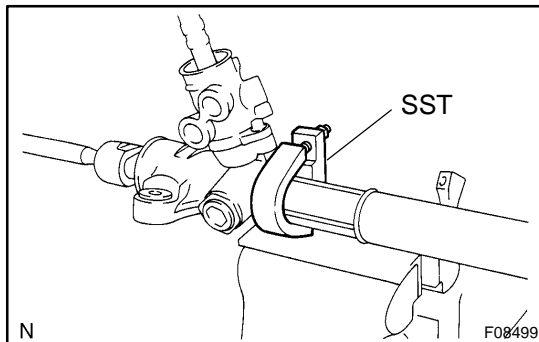
DISASSEMBLY

NOTICE:

When using a vise, do not overtighten it.

1. REMOVE 2 TURN PRESSURE TUBES

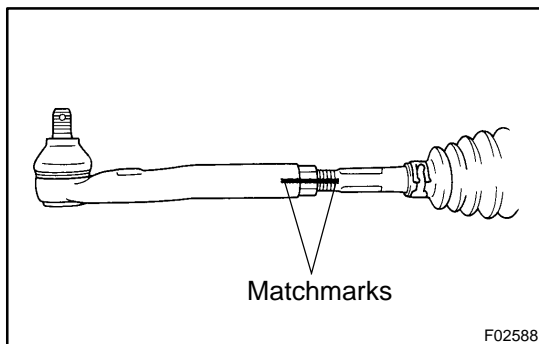
- Using SST, remove the 2 turn pressure tubes.
SST 09023-38200
- Remove the 4 O-rings from 2 turn pressure tubes.



2. SECURE PS GEAR ASSEMBLY IN VISE

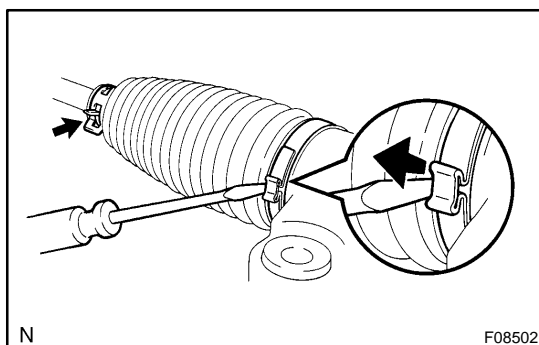
Using SST, secure the PS gear assembly in a vise.

SST 09612-00012



3. REMOVE RH AND LH TIE ROD ENDS AND LOCK NUTS

- Place matchmarks on the tie rod end and rack end.
- Loosen the lock nut, and remove the tie rod end and lock nut.
- Employ the same manner described above to the other side.



4. REMOVE RH AND LH CLIPS, CLAMPS AND RACK BOOTS

- Using a screwdriver, loosen the clamp.
- Remove the clip, clamp and rack boot.

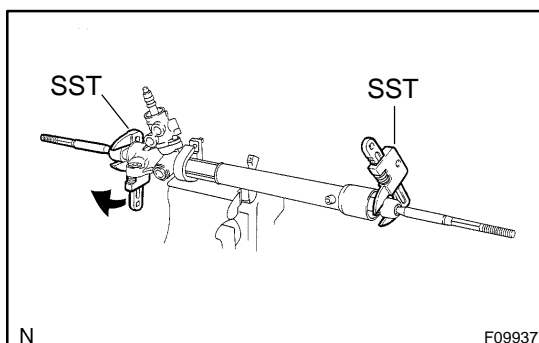
NOTICE:

Be careful not to damage the boot.

HINT:

Mark the RH and LH rack boots.

- Employ the same manner described above to the other side.



5. REMOVE RH AND LH RACK ENDS

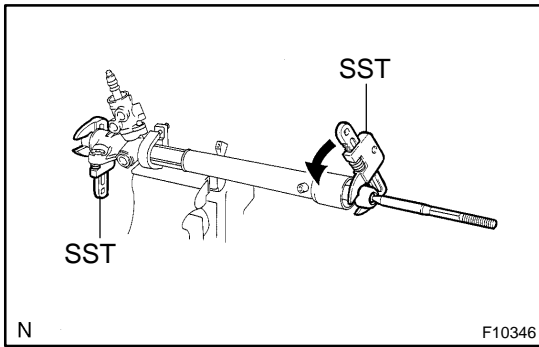
- Using SST, hold the RH rack end steadily and using another SST, remove the LH rack end.
SST 09922-10010

NOTICE:

Use SST 09922-10010 in the direction shown in the illustration.

HINT:

Mark the RH and LH rack ends.



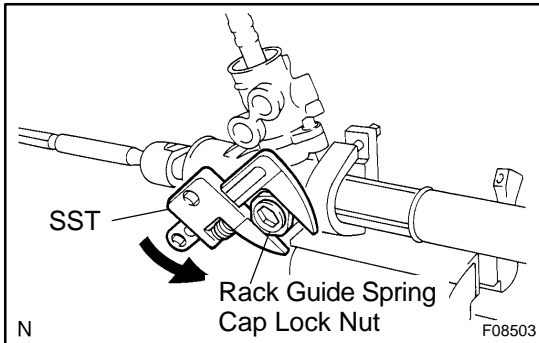
- (b) Using SST, hold the steering rack LH side steadily and using another SST, remove the RH rack end.
SST 09922-10010

NOTICE:

Use SST 09922-10010 in the direction shown in the illustration.

HINT:

Mark the RH and LH rack ends.



6. REMOVE RACK GUIDE SPRING CAP LOCK NUT

Using SST, remove the rack guide spring cap lock nut.

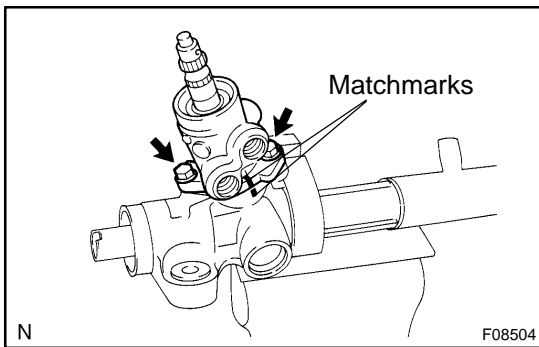
SST 09922-10010

NOTICE:

Use SST 09922-10010 in the direction shown in the illustration.

7. REMOVE RACK GUIDE SPRING CAP, RACK GUIDE SPRING, RACK GUIDE SPRING SPACER AND RACK GUIDE SUB-ASSEMBLY

- (a) Using a hexagon wrench (19 mm), remove the rack guide spring cap.
- (b) Remove the rack guide spring, rack guide spring spacer and rack guide sub-assembly.

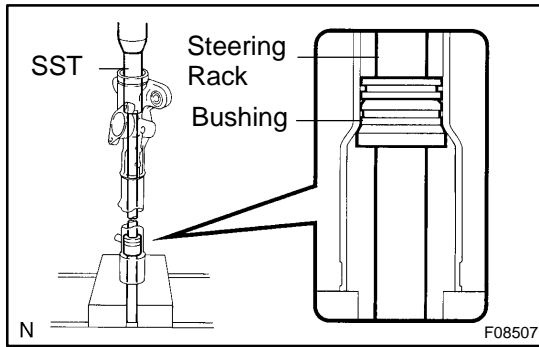


8. REMOVE CONTROL VALVE ASSEMBLY

- (a) Place matchmarks on the control valve housing and rack housing.
- (b) Remove the 2 bolts.
- (c) Pull out the control valve assembly.
- (d) Remove the gasket.

9. REMOVE CYLINDER END STOPPER

- (a) Using needle nose pliers, remove the snap ring.
- (b) Pull out the cylinder end stopper.

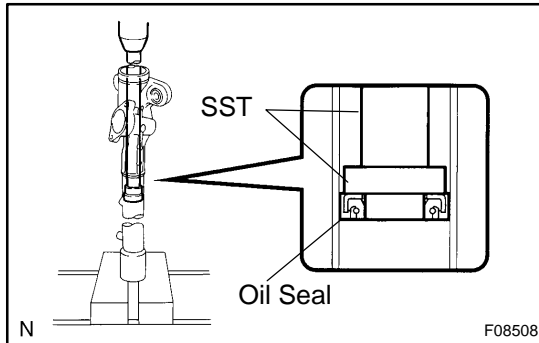
**10. REMOVE STEERING RACK WITH BUSHING**

- (a) Using SST, press out the steering rack with the bushing.
SST 09950-70010 (09951-07200)

NOTICE:

Take care not to drop the steering rack.

- (b) Remove the O-ring from the bushing.

**11. REMOVE OIL SEAL**

Using SST, press out the oil seal.

SST 09950-60010 (09951-00240),
09950-70010 (09951-07360)

NOTICE:

Do not damage the rack housing.