

REPLACEMENT

NOTICE:

When using a vise, do not overtighten it.

1. IF NECESSARY, REPLACE OIL SEAL

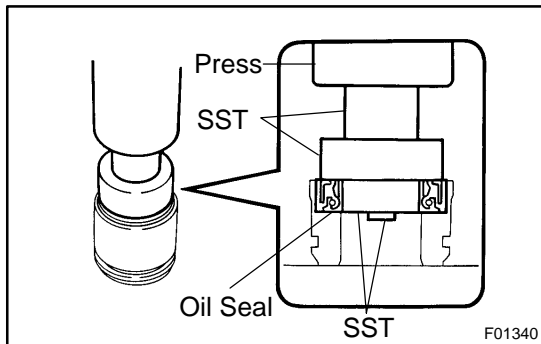
- (a) Using SST, remove the oil seal from the bushing.
SST 09612-24014 (09613-22011)

NOTICE:

Be careful not to damage the bushing.

HINT:

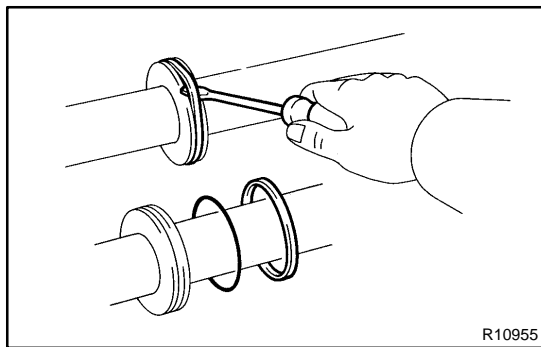
As shown in the illustration, from the opposite side of SST confirm that its claws are firmly caught on the oil seal.



- (b) Coat a new oil seal lip with power steering fluid.
- (c) Using SST, press in the oil seal.
SST 09950-60010 (09951-00210, 09951-00340, 09952-06010), 09950-70010 (09951-07100)

NOTICE:

Make sure that the oil seal is installed facing in the correct direction.



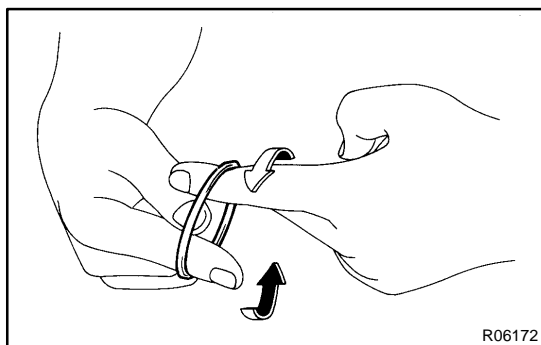
2. IF NECESSARY, REPLACE TEFLON RING AND O-RING

- (a) Using a screwdriver, remove the teflon ring and O-ring from the steering rack.

NOTICE:

Be careful not to damage the groove for the teflon ring.

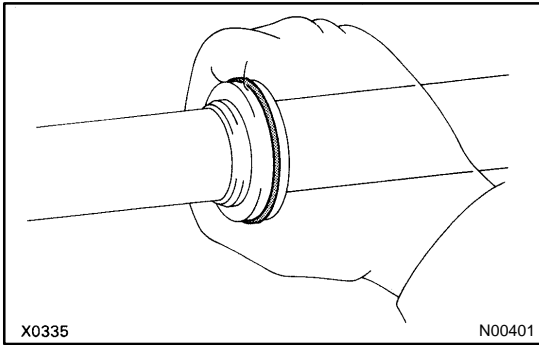
- (b) Coat a new O-ring with power steering fluid and install it to the steering rack.



- (c) Expand a new teflon ring with your fingers.

NOTICE:

Be careful not to overexpand the teflon ring.



- (d) Coat the teflon ring with power steering fluid.
- (e) Install the teflon ring to the steering rack and settle it down with your fingers.
- (f) Using a screwdriver, remove the 4 teflon rings from the control valve assembly.