

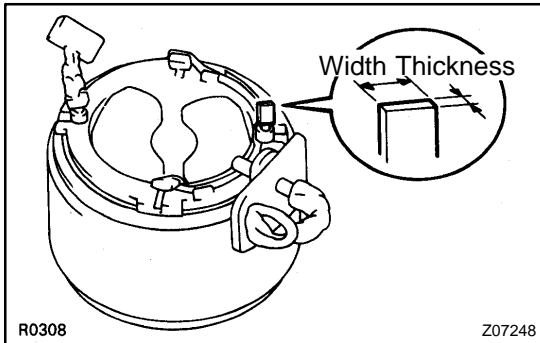
REPLACEMENT

1. REPLACE BRUSHES

HINT:

Only the 2 brushes of the positive (+) side (York side) are exchangeable, negative (-) side brush must be changed in the body with the brush holder.

- (a) Cut the brush lead wire at the terminal side.
- (b) Shave welded mark of the brush lead wire with sandpaper etc., and correct the terminal to the specified.

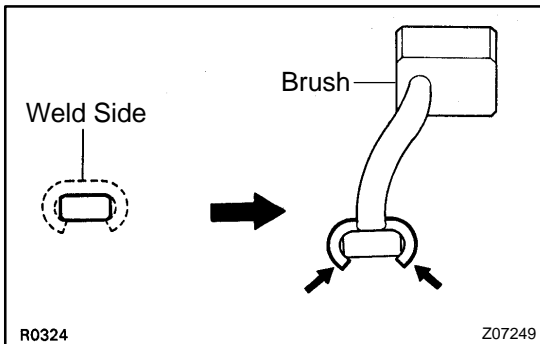


NOTICE:

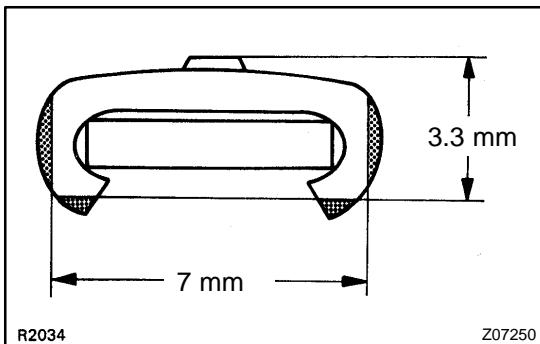
Part to be shaved is so narrow that you should take care not to harm the field coil.

Specified width: 5.0 mm (0.197 in.)

Specified thickness: 1.6 mm (0.063 in.)



- (c) Press the plate of the supply brush on the welded side of the terminal lead wire.

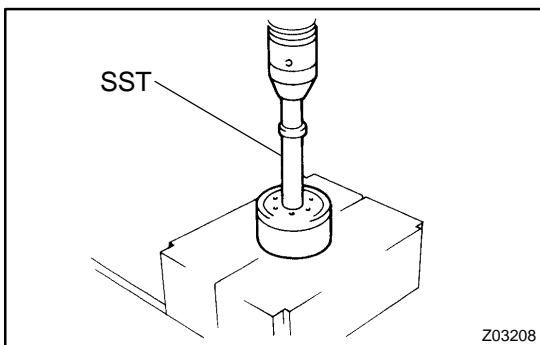


- (d) Solder the pressed part, and shave to the specified measures with the sandpaper etc.

Specified width: 7.0 mm (0.276 in.)

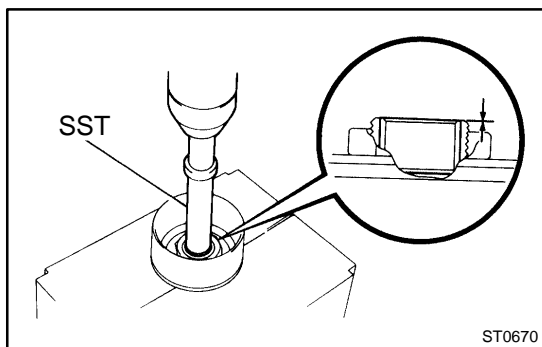
Specified thickness: 3.3 mm (0.130 in.)

- Heat the soldered part well, and flow the solder inside the plate, take care not to flow it into the inside lead wire.
- Take care not to flow the solder into field.



2. REPLACE CENTER BEARING

- (a) Using SST and press, press out the center bearing.
SST 09221-25026 (09221-00090)



- (b) Using SST and a press in a new center bearing to the position shown in the illustration.
SST 09221-25026 (09221-00090)