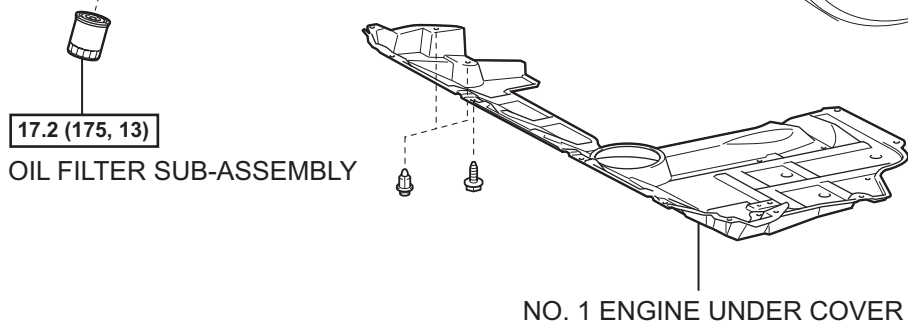
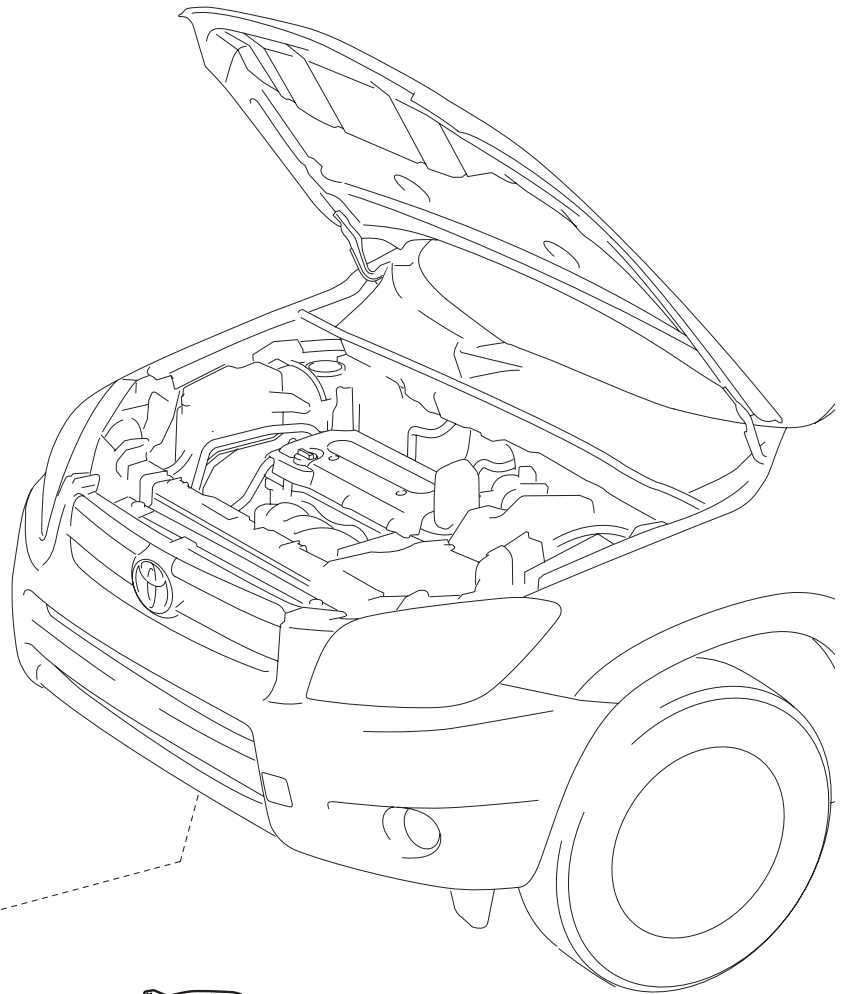


# OIL FILTER COMPONENTS



**N\*m (kgf\*cm, ft.\*lbf)** : Specified torque

LU

## REPLACEMENT

### CAUTION:

- Prolonged and repeated contact with engine oil will cause the loss of natural oils from the skin, leading to dryness, irritation and dermatitis. In addition, used engine oil contains potentially harmful contaminants which may cause skin cancer.
- Precautions should be taken when replacing engine oil to minimize the risk of your skin making contact with used engine oil. Wear protective clothing and gloves. Wash your skin thoroughly with soap and water, or use a waterless hand cleaner to remove any used engine oil. Do not use gasoline, thinners or solvents.
- For environmental protection, used oil and used oil filters must be disposed of at designated disposal sites.

### 1. REMOVE NO. 1 ENGINE UNDER COVER

### 2. DRAIN ENGINE OIL

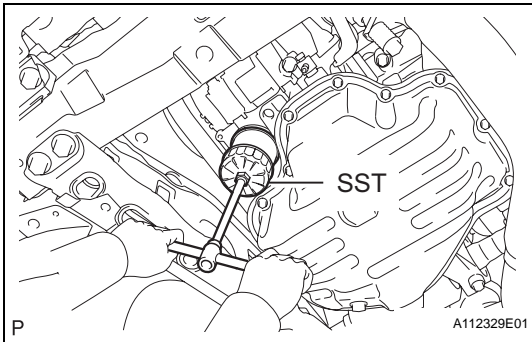
- Remove the oil filler cap.
- Remove the oil drain plug and drain the oil into a container.

### 3. REMOVE OIL FILTER SUB-ASSEMBLY

- Using SST, remove the oil filter.  
**SST 09228-06501**

### 4. INSTALL OIL FILTER SUB-ASSEMBLY

- Check and clean the oil filter installation surface.
- Apply clean engine oil to the gasket of a new oil filter.



- Lightly screw the oil filter into place by hand. Tighten it until the gasket contacts the seat.

- Using SST, tighten the oil filter.

**SST 09228-06501**

- Depending on the work space available, choose from the following.

- If enough space is available, use a torque wrench to tighten the oil filter.

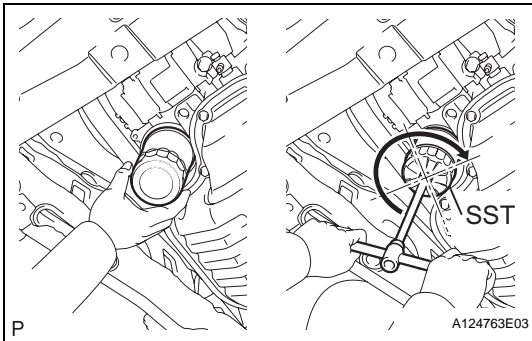
**Torque: 17.2 N\*m (175 kgf\*cm, 13 ft.\*lbf)**

- If enough space is not available to use a torque wrench, tighten the oil filter a 3/4 turn by hand or use a common wrench.

### 5. ADD ENGINE OIL

- Clean and install the oil drain plug with a new gasket.

**Torque: 40 N\*m (408 kgf\*cm, 30 ft.\*lbf)**



(b) Add new oil.

**Standard capacity**

Item	Standard Condition
Drain and refill with oil filter change	4.3 liters (4.5 US qts, 3.8 Imp. qts)
Drain and refill without oil filter change	4.1 liters (4.3 US qts, 3.6 Imp. qts)
Dry fill	5.0 liters (5.3 US qts, 4.4 Imp. qts)

(c) Install the oil filler cap.

**6. CHECK FOR ENGINE OIL LEAKS**

**7. INSTALL NO. 1 ENGINE UNDER COVER**